



CREATIVE EQUIPMENT CC

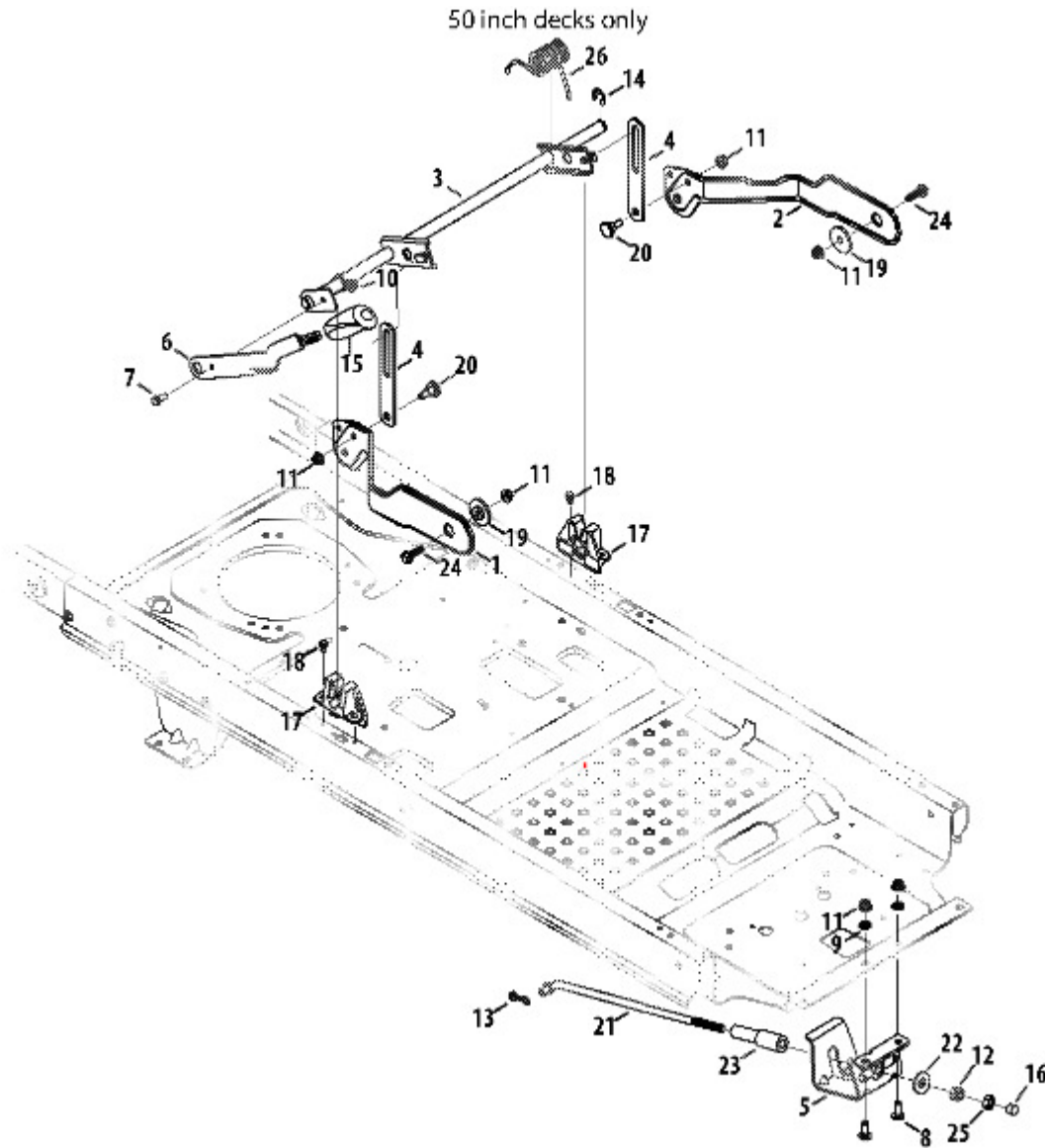
18 Main Road, Fishers Hill, Germiston, 1401
Tel: 011 828 5085 Fax: 011-828-5085
sales@talontools.co.za www.talontools.co.za



ILLUSTRATED PARTS LIST

MODEL	MTD-RZT-L	OUTPUT	25hp
PRODUCT	CUB CADET		

Deck Lift



**CREATIVE EQUIPMENT CC**

18 Main Road, Fishers Hill, Germiston, 1401
 Tel: 011 828 5085 Fax: 011-828-5085
sales@talontools.co.za www.talontools.co.za

**ILLUSTRATED PARTS LIST**

MODEL MTD-RZT-L OUTPUT 25hp
 PRODUCT CUB CADET

DECK LIFT		
REF #	PART #	DESCRIPTION
1	MTD603-05107B	Deck Lift Plate, RH
2	MTD603-05100B	Deck Lift Plate, LH
3	MTD903-05138	Deck lift Shift Assembly
4	MTD703-08591A	Lift Link Plate
5	MTD703-08644	Rod Support Mounting Bracket
6	MTD703-09621	Deck Lift Handle
7	MTD710-3008	Hex Cap Screw, 5/16-18 x .75
8	MTD710-3168	Carriage Bolt, 3/8-16 x 1.00
9	MTD712-0229	Push Nut, 3/8
10	MTD712-04063	Flange Lock Nut, 5/16-18
11	MTD712-04065	Flange Lock Nut, 3/8-16
12	MTD712-05046	Hex Nut, ½-13
13	MTD714-05005	Bow-Tie Cotter Pin

REF #	PART #	DESCRIPTION
14	MTD916-0231	E-Type Ring, .750
15	MTD720-04139B	Grip, .50ID
16	MTD726-05009	End Cap
17	MTD731-08782	Deck Lift Bracket
18	MTD738-04278	Shoulder Screw, .500 x ¼-20
19	MTD738-05029	Shoulder Spacer, .845 x .232
20	MTD938-0507B	Shoulder Screw, .500 Dia. X .434
21	MTD747-05552C	Deck Lift Rod
22	MTD748-04069	Deck Lift Pivot Cup
23	MTD750-05658	Nylon Sleeve, .55ID x 4.50LG
24	MTD710-04683C	Screw, 3/8-16 x 1.00
25	MTD912-3048	Jam Nut, ½-13
26	MTD732-04947A†	Torsion Spring, 1.323 ID x 2.83LG
†	If equipped	



CREATIVE EQUIPMENT CC

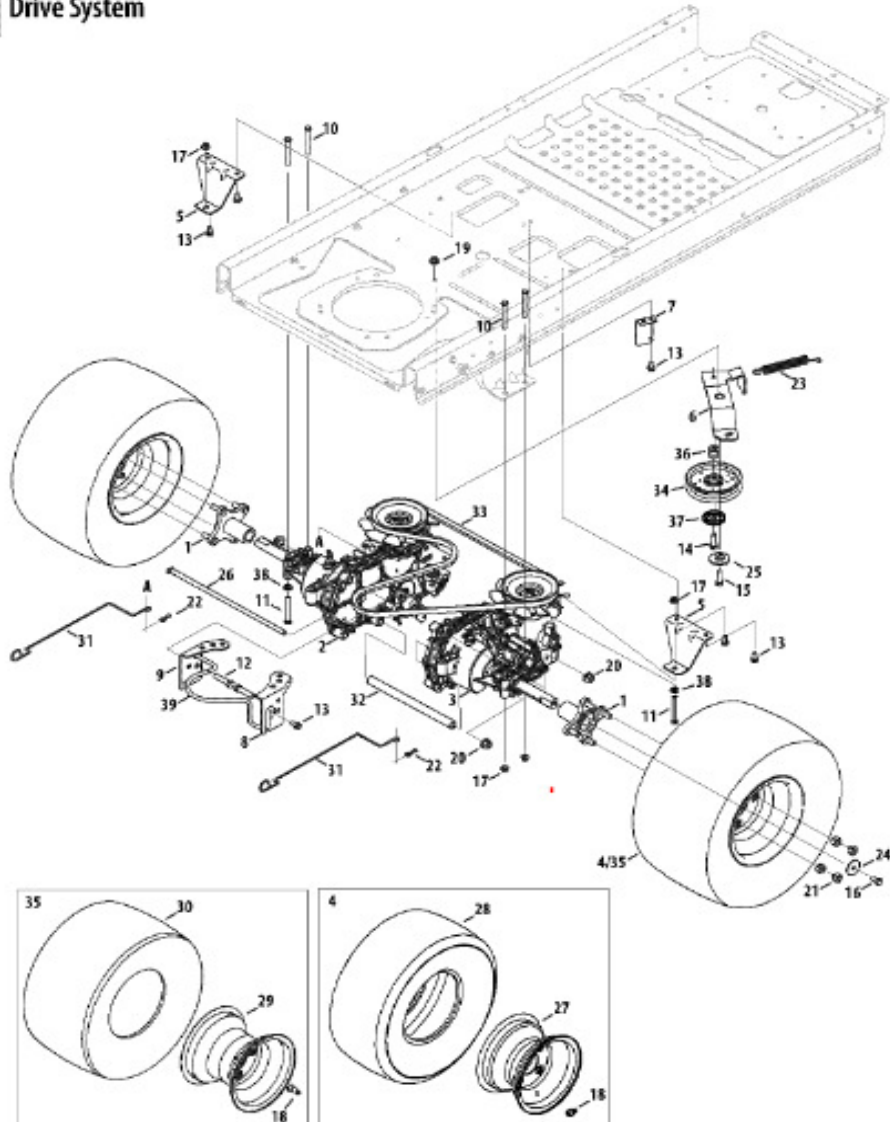
18 Main Road, Fishers Hill, Germiston, 1401
Tel: 011 828 5085 Fax: 011-828-5085
sales@talontools.co.za www.talontools.co.za



ILLUSTRATED PARTS LIST

MODEL	MTD-RZT-L	OUTPUT	25hp
PRODUCT	CUB CADET		

Drive System



**CREATIVE EQUIPMENT CC**

18 Main Road, Fishers Hill, Germiston, 1401
 Tel: 011 828 5085 Fax: 011-828-5085
sales@talontools.co.za www.talontools.co.za

**ILLUSTRATED PARTS LIST**

MODEL MTD-RZT-L OUTPUT 25hp
 PRODUCT CUB CADET

DRIVE SYSTEM		
REF #	PART #	DESCRIPTION
1	MTD918-04317	Wheel Hub Assembly
2	MTD918-05128A	Transmission Assembly, LH
3	MTD918-05129A	Transmission Assembly, RH
4	MTD634-04293	Complete Wheel, 18 x 18.5-8 (42")
5	MTD703-08570	Transmission Mounting Bracket
6	MTD703-08605	Idler Bracket
7	MTD703-08613A	Spring Mounting Bracket
8	MTD703-08614A	Transmission Bracket
9	MTD703-08615A	Transmission Bracket
10	MTD710-0176	Hex Screw, 5/16-18 x 2.75
11	MTD710-0395	Hex Screw, 5/16-18 x 2.25
12	MTD710-04092	Hex Screw, 7/16-20 x 1.75
13	MTD710-04484	Hex Washer Screw, 5/16-18 x .750
14	MTD710-1315	Hex Washer Screw, 3/8-16 x 1.250
15	MTD710-0514	Hex Screw, 3/8-16 x 1.00
16	MTD710-3119	Hex Screw, 3/8-16 x .75
17	MTD712-04063	Flange Lock Nut, 5/16-18
18	MTD934-0255	Valve Tubeless
19	MTD912-3020	Jam Lock Nut, 3/8-16
20	MTD712-0459	Flange Lock Nut, 7/16-20

REF #	PART #	DESCRIPTION
21	MTD712-3050	Lug nut, 7/16-14
22	MTD714-04040	Bow-Tie Cotter Pin
23	MTD732-04229	Extension Spring, .75 Dia x 6.02
24	MTD936-0227	Flat Washer, .390 x 1.50 x .134
25	MTD738-04162C	Shoulder Spacer, .884 .190
26	MTD738-04192B	Rod, .405 Dia. x 14.0 LG
27	MTD603-04173-0499	Rim Only, (42")
28	MTD734-04246-0901	Tire Only, 18 x 8.8-8 (42")
29	MTD603-04175-0499	Rim Only, (50")
30	MTD734-1729-0901	Tire Only, 18 x 9.5-8 (50")
31	MTD747-05657A	Bypass Rod
32	MTD750-04561A	Tube, .51ID x .75OD x 10.2
33	MTD954-04317A	Belt, A-Type x 67.0
34	MTD756-05042	Idler Pulley, 4.25 Dia.
35	MTD634-04128	Complete Wheel, 18 x 9.5-8 (50")
36	MTD748-05029A	Shoulder Spacer
37	MTD783-08389	Pulley Cap
38	MTD936-0264	Flat Washer, .330 x .630 x .064
39	MTD747-06037	Engine Keeper Rod (42")
	MTD747-06070	Engine Keeper Rod (50")



CREATIVE EQUIPMENT CC

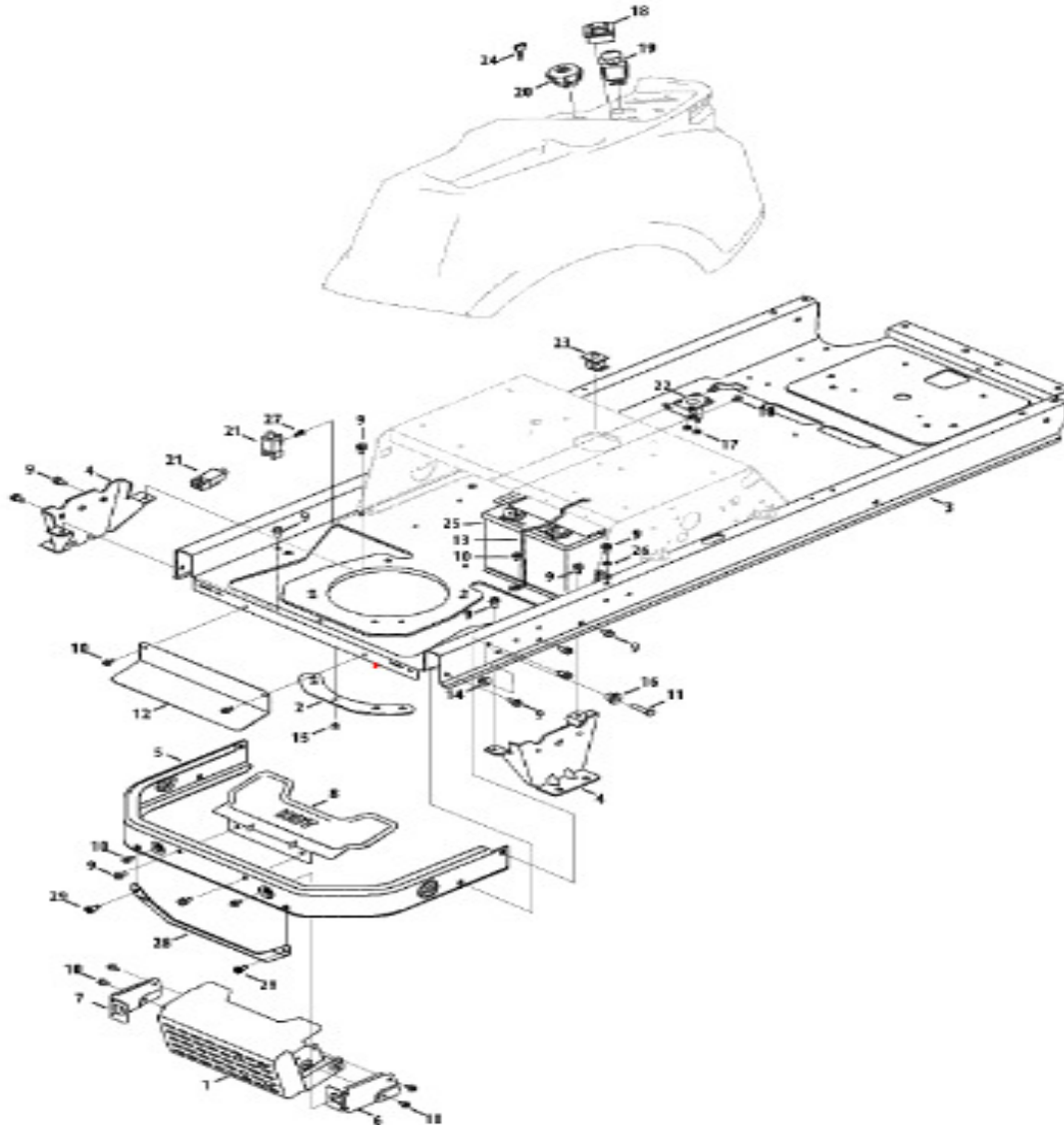
18 Main Road, Fishers Hill, Germiston, 1401
Tel: 011 828 5085 Fax: 011-828-5085
sales@talontools.co.za www.talontools.co.za



ILLUSTRATED PARTS LIST

MODEL	MTD-RZT-L	OUTPUT	25hp
PRODUCT	CUB CADET		

Frame & Electrical



**CREATIVE EQUIPMENT CC**

18 Main Road, Fishers Hill, Germiston, 1401
 Tel: 011 828 5085 Fax: 011-828-5085
sales@talontools.co.za www.talontools.co.za

**ILLUSTRATED PARTS LIST**

MODEL MTD-RZT-L OUTPUT 25hp
 PRODUCT CUB CADET

FRAME & ELECTRICAL		
REF #	PART #	DESCRIPTION
1	MTD603-05156A	Muffler Shield Assembly
2	MTD703-05383B	Retainer Plate
3	MTD703-09578B	Frame Assembly
4	MTD703-08555	Transmission Mounting Bracket
5	MTD703-08558B	Rear Bumper
6	MTD703-08671A	Muffler Mounting Shield Bracket, RH
7	MTD703-08695	Muffler Mounting Shield Bracket, LH
8	MTD703-09083	Muffler Shield
9	MTD710-04484	Hex Washer Screw, 5/16-18 x .750
10	MTD710-1652	Hex Washer Screw, 1/14-20 x .625
11	MTD710-3005	Hex Screw, 3/8-16 x 1.25
12	MTD703-09195	Lower Heat Shield
13	MTD747-05685	Battery Rod
14	MTD712-04065	Flange Lock Nut, 3/8-16
15	MTD726-04072A	Clip, .250 Dia. x .500 LG

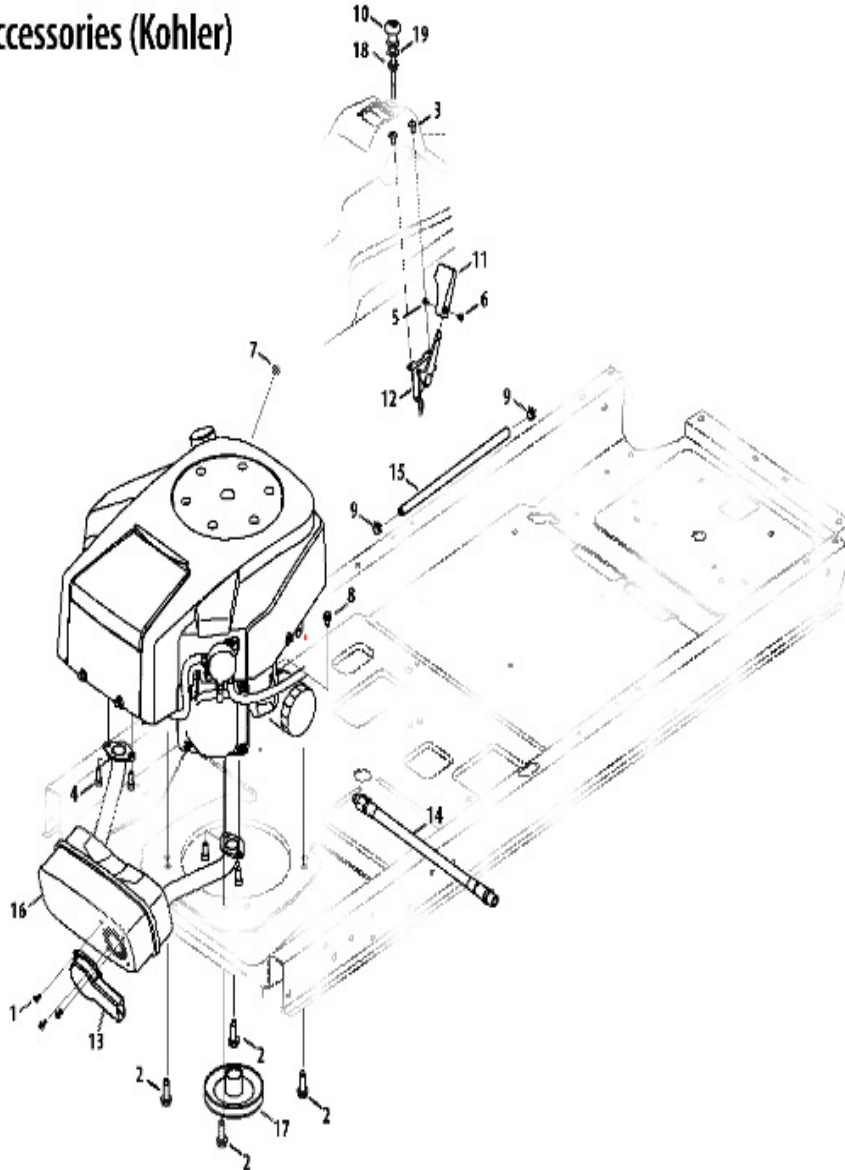
FRAME & ELECTRICAL		
REF #	PART #	DESCRIPTION
16	MTD738-04058	Shoulder Spacer, .38 x 1.0 x .70
17	MTD712-04064	Flange Lock Nut, ¼-20
18	MTD925-06170	Hour Meter/Service Minder
19	MTD925-3233	Electric PTO Switch
20	MTD725-06102A	Key Switch
21	MTD725-04363	Interlock Switch
22	MTD725-06153	Solenoid
23	MTD925-05013	Seat Switch
24	MTD625-05000	Key, Assembly
25	MTD925-1707D	Battery
26	MTD736-0607	Lock Washer, 5/16
27	MTD738-04237	Shoulder Screw, #10-32 x .500
28	MTD703-09884	Rear Muffler Shield Bracket
29	MTD710-06096	Screw, Self-Tapping, 5/16-18, 0.750
	MTD925-06284	Harness Assembly

**CREATIVE EQUIPMENT CC**

18 Main Road, Fishers Hill, Germiston, 1401
 Tel: 011 828 5085 Fax: 011-828-5085
sales@talontools.co.za www.talontools.co.za

**ILLUSTRATED PARTS LIST**

MODEL MTD-RZT-L OUTPUT 25hp
 PRODUCT CUB CADET

Engine Accessories (Kohler)

ENGINE ACCESSORIES (KOHLER)		
REF #	PART #	DESCRIPTION
1	MTD710-0227	Hex Washer Screw, #8-18 x .500
2	MTD710-04683C	Hex Washer Screw, 3/8-16 x 1.00
3	MTD710-05070A	Screw, ¼-20 x .50
4	MTD710-1314A	Socket Head Screw, 5/16-18 x .750
5	MTD710-3217	Screw, #8-32 x .375
6	MTD712-0142	Hex Nut, #8-32
7	MTD712-04064	Flange Lock Nut, ¼-20
8	MTD710-1652	Hex Washer Screw, ¼-20 x .625
9	MTD726-0205	Hose Clamp, .490 Dia.
10	MTD946-04847	Choke Cable
11	MTD731-09637	Throttle Control Knob
12	MTD946-05129	Throttle Cable
13	MTD751-11053A	Muffler Deflector Long
14	MTD751-10291A	Oil Drain Hose
15	MTD751-10349-28	Fuel Hose, ¼
16	MTD751-10528B	Twin Muffler
17	MTD756-04494	Engine Pulley
18	MTD912-3005	Flange Lock Nut, 3/8-16
19	MTD936-0300	Flat Washer, .406 x .875 x .059



CREATIVE EQUIPMENT CC

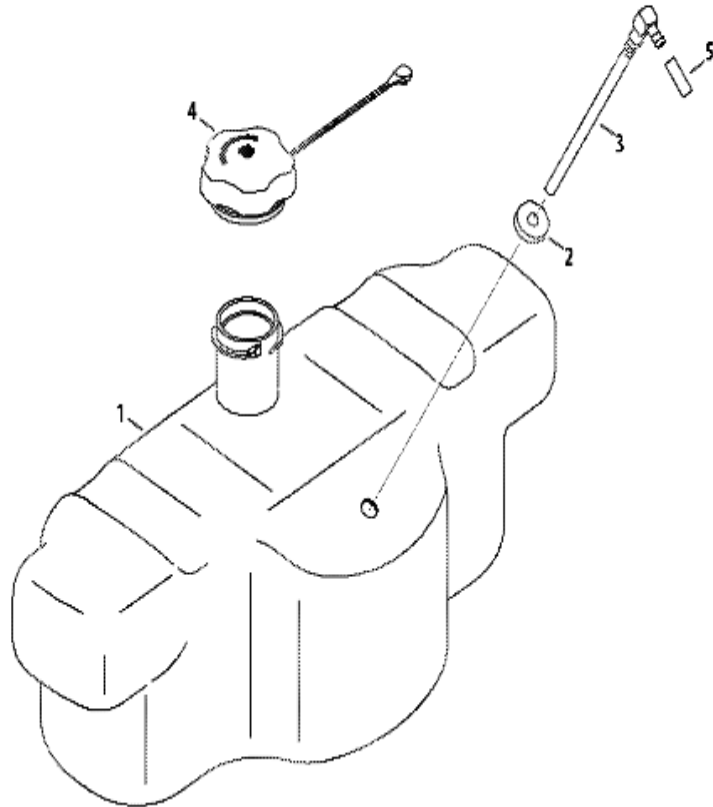
18 Main Road, Fishers Hill, Germiston, 1401
Tel: 011 828 5085 Fax: 011-828-5085
sales@talontools.co.za www.talontools.co.za



ILLUSTRATED PARTS LIST

MODEL MTD-RZT-L OUTPUT 25hp
PRODUCT CUB CADET

Fuel Tank



FUEL TANK		
REF #	PART #	DESCRIPTION
1	MTD951-05138	Fuel Tank, 3.5 Gallon
2	MTD935-0149	Fuel Tank Bushing
3	MTD751-10442	Fuel Pickup Fitting
4	MTD951-12179B	Fuel Cap
5	MTD751-120089-45	Vent Hose



CREATIVE EQUIPMENT CC

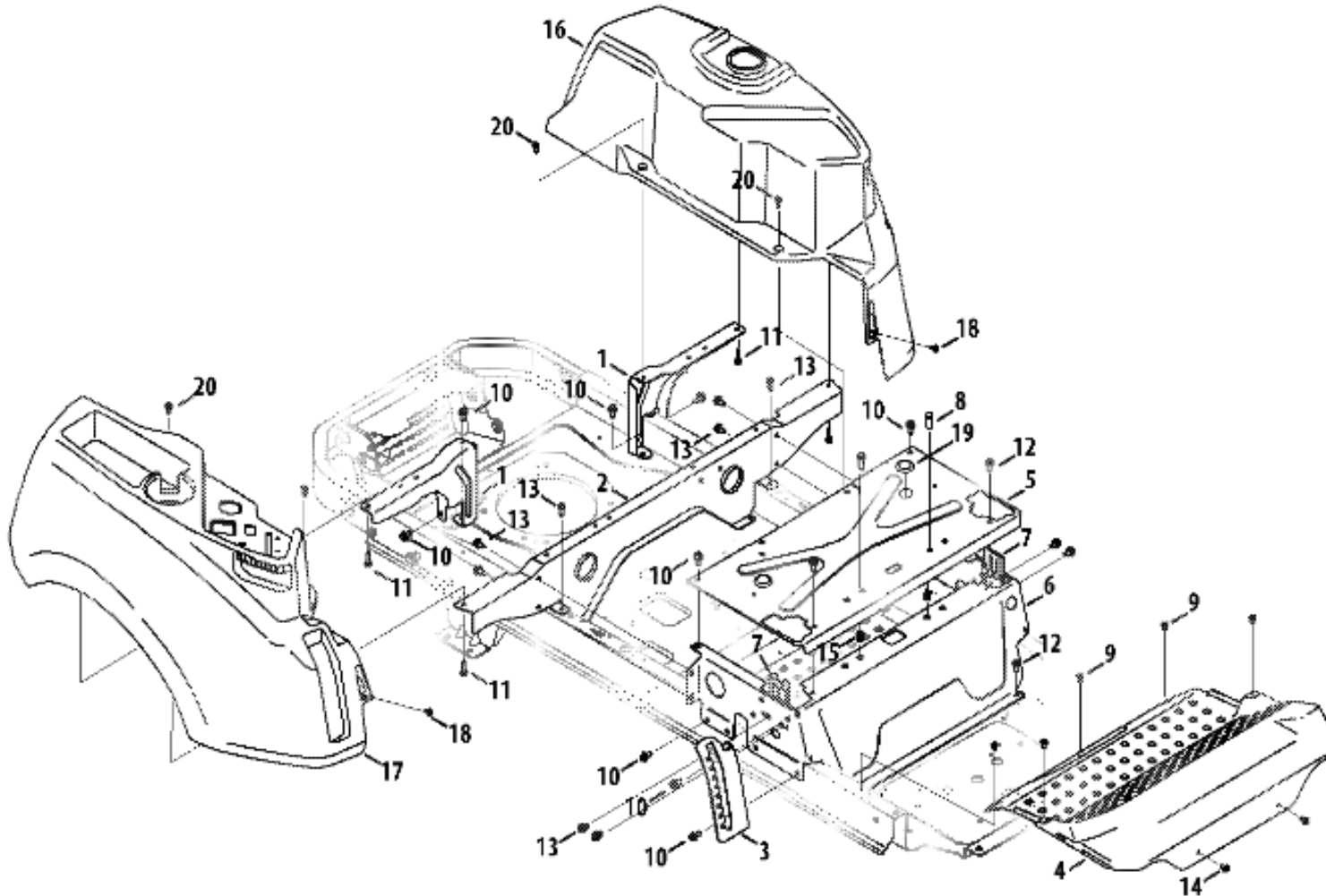
18 Main Road, Fishers Hill, Germiston, 1401
Tel: 011 828 5085 Fax: 011-828-5085
sales@talontools.co.za www.talontools.co.za



ILLUSTRATED PARTS LIST

MODEL	MTD-RZT-L	OUTPUT	25hp
PRODUCT	CUB CADET		

Operator's Platform



**CREATIVE EQUIPMENT CC**

18 Main Road, Fishers Hill, Germiston, 1401
 Tel: 011 828 5085 Fax: 011-828-5085
sales@talontools.co.za www.talontools.co.za

**ILLUSTRATED PARTS LIST**

MODEL MTD-RZT-L OUTPUT 25hp
 PRODUCT CUB CADET

OPERATOR'S PLATFORM		
REF #	PART #	DESCRIPTION
1	MTD703-08720A	Rear Tank Bracket
2	MTD703-09332A	Rear Seatbox Brace
3	MTD703-08762C	Height Index Bracket
4	MTD703-08902A	Floor Board
5	MTD703-09045D	Seatbox Plate
6	MTD703-09320	Seat Frame
7	MTD703-09211A	Lapbar Brace Bracket
8	MTD710-0643	Hex Cap Screw, 5/16-18 x 1.00
9	MTD710-04483	Self Tapping Screw, ¼-20 x .50
10	MTD710-04484	Hex Washer Screw, 5/16-18 x .750

OPERATOR'S PLATFORM		
REF #	PART #	DESCRIPTION
11	MTD710-05109	Hex Washer Screw, 5/16-14 x 1.00
12	MTD710-05424	Self Tapping Screw, 5/16-18 x .750
13	MTD710-0607	Hex Washer Screw, 5/16-18 x .50
14	MTD710-1611B	Screw, Self-Tapping, 5/16-18, .750
15	MTD728-04068	Nut, 5/16-18
16	MTD931-10107	LH Console
17	MTD931-09459	RH Console
18	MTD738-045494A	Shoulder Screw, ¼-20
19	MTD726-3045A	Button Plug
20	MTD738-05090	Shoulder Screw, .368 x .115, M6-1



CREATIVE EQUIPMENT CC

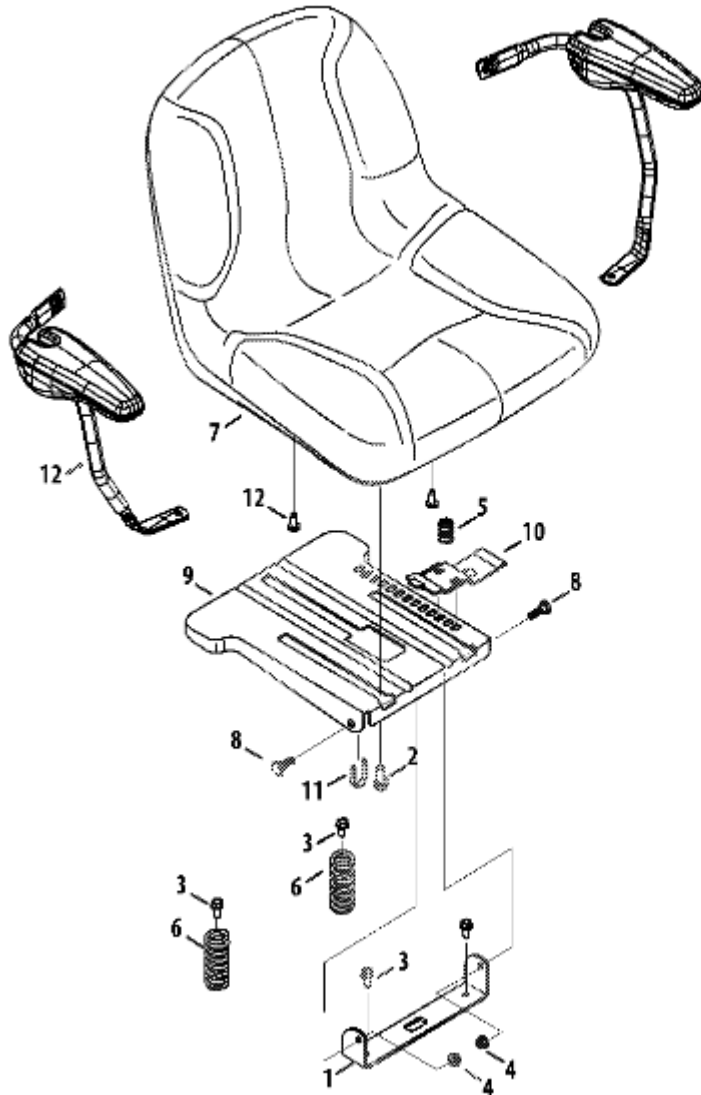
18 Main Road, Fishers Hill, Germiston, 1401
Tel: 011 828 5085 Fax: 011-828-5085
sales@talontools.co.za www.talontools.co.za



ILLUSTRATED PARTS LIST

MODEL MTD-RZT-L OUTPUT 25hp
PRODUCT CUB CADET

Seat Adjustment



SEAT ADJUSTMENT		
REF #	PART #	DESCRIPTION
1	MTD703-08734	Seat Bracket
2	MTD710-04482	Hex Flange Bolt, 3/8-16 x .875
3	MTD710-04484	Hex Washer Screw, 5/16-18 x .750
4	MTD712-04063	Flange Lock Nut, 5/16-18
5	MTD732-04563	Compression Spring, .68 x 1.065 x .055
6	MTD732-04849	Compression Spring, 1.50 x 3.90 x .200
7	MTD757-04098	Seat, High Back
	MTD757-04090	Seat, High Back, Armrest
8	MTD938-0296	Shoulder Screw, 5/16-18 x .437 x .268
9	MTD783-06049	Seat Mount Bracket
10	MTD783-06050	Seat Adjustment Lever
11	MTD783-06448	Clip
12	MTD757-04073†	Armrest

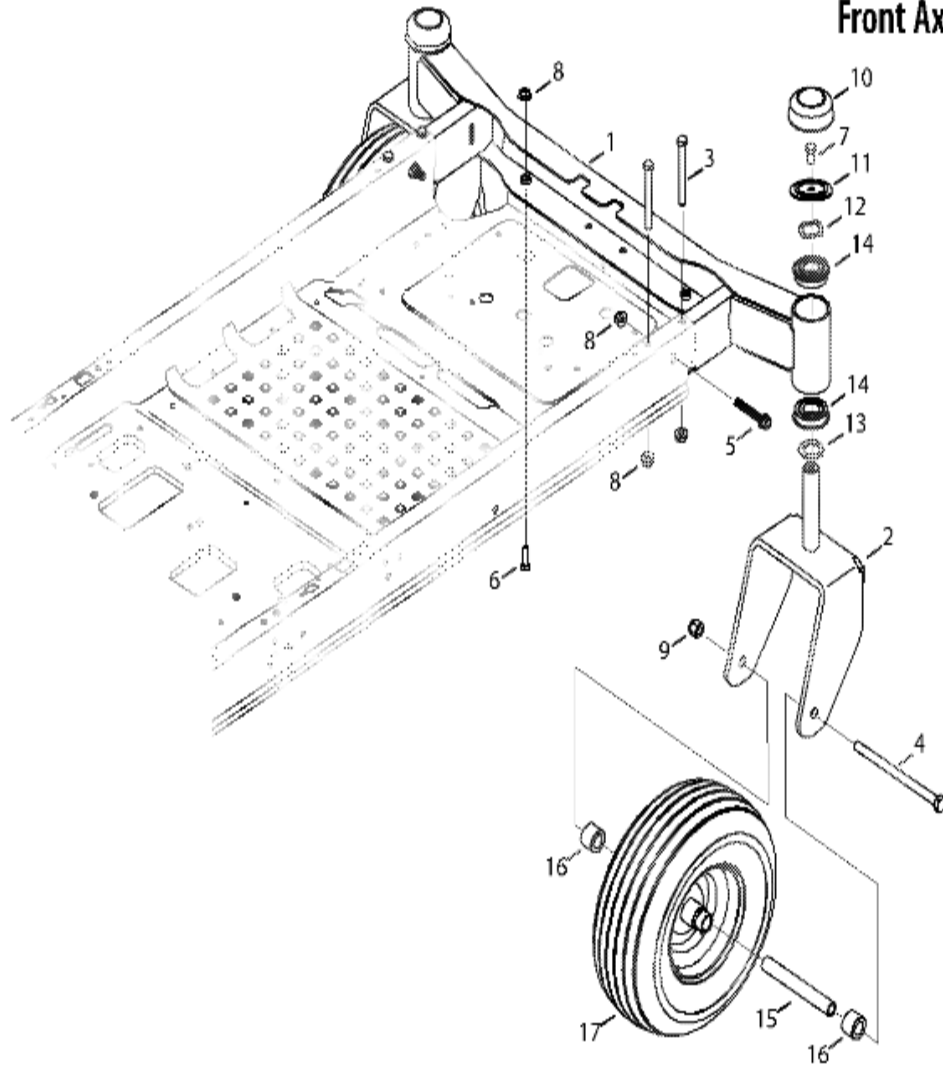
† If Equipped

**CREATIVE EQUIPMENT CC**

18 Main Road, Fishers Hill, Germiston, 1401
 Tel: 011 828 5085 Fax: 011-828-5085
sales@talontools.co.za www.talontools.co.za

**ILLUSTRATED PARTS LIST**

MODEL MTD-RZT-L OUTPUT 25hp
 PRODUCT CUB CADET

Front Axle 50"**FRONT AXLE 50"**

REF #	PART #	DESCRIPTION
1	MTD603-05135	Front Axle
2	MTD603-05058B	Caster Wheel Bracket
3	MTD710-04576	Hex Cap Screw, 3/8-16 x 3.75
4	MTD710-04652	Hex Cap Screw, 1/2-20 x 7.25
5	MTD710-06093	Hex Flange Screw, 3/8-16 x 2.00
6	MTD710-0514	Hex Cap Screw, 3/8-16 x 1.00
7	MTD710-3119	Hex Cap Screw, 3/8-16 x .750
8	MTD712-04217	Flange Lock Nut, 3/8-16
9	MTD912-3058	Hex Lock Nut, 1/2-20
10	MTD731-09347	Cap
11	MTD738-05091	Shoulder Spacer, 2.50 x .200
12	MTD736-05033A	Wave Washer, 1.25 x 1.00 x .300
13	MTD736-0745	Flat Washer, 1.010 x 1.56 x .060
14	MTD941-05022A	Ball Bearing
15	MTD750-04775A	Spacer, .51 x .75 x 5.825
16	MTD750-04792	Hub, .76 x 1.23 x .92
17	MTD634-04711-0931	Wheel Assembly, 13 x 5 x 6



CREATIVE EQUIPMENT CC

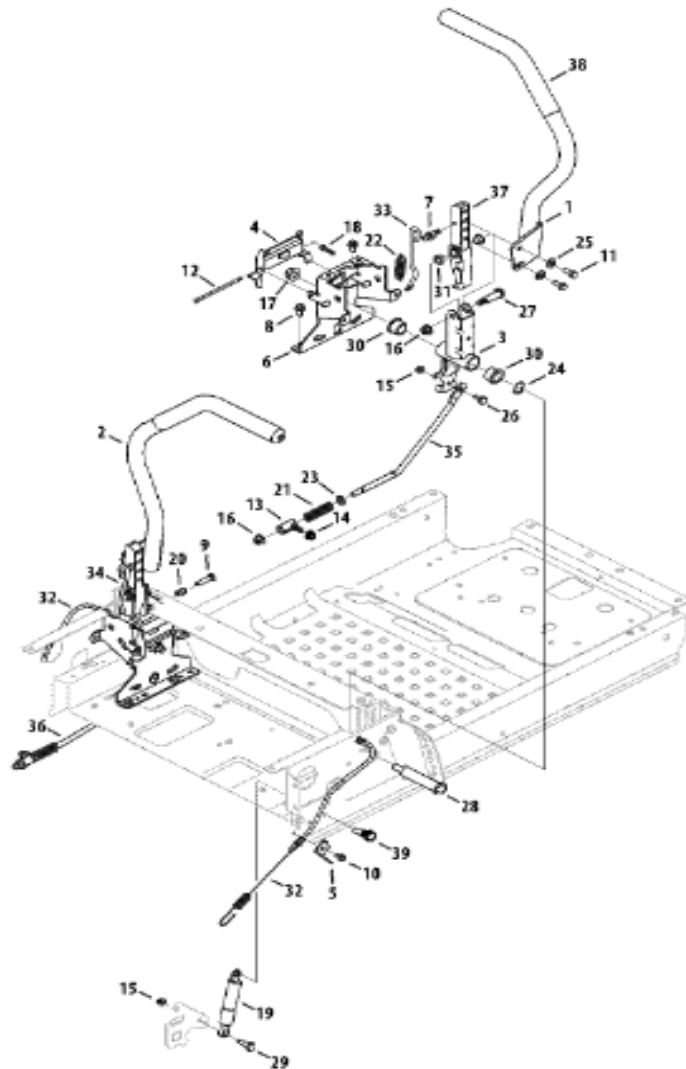
18 Main Road, Fishers Hill, Germiston, 1401
Tel: 011 828 5085 Fax: 011-828-5085
sales@talontools.co.za www.talontools.co.za



ILLUSTRATED PARTS LIST

MODEL	MTD-RZT-L	OUTPUT	25hp
PRODUCT	CUB CADET		

Controls



**CREATIVE EQUIPMENT CC**

18 Main Road, Fishers Hill, Germiston, 1401
 Tel: 011 828 5085 Fax: 011-828-5085
sales@talontools.co.za www.talontools.co.za

**ILLUSTRATED PARTS LIST**

MODEL MTD-RZT-L OUTPUT 25hp
 PRODUCT CUB CADET

CONTROLS		
REF #	PART #	DESCRIPTION
1	MTD603-05124A	RH Lapbar Lever Assembly
2	MTD603-05126A	LH Lapbar Lever Assembly
3	MTD603-05033A	Lapbar Pivot Bracket
4	MTD703-09069	Brake Lever Actuator
5	MTD703-09220	Brake Cable Bracket
6	MTD703-09325A	Lapbar Pivot Support Bracket
7	MTD710-04471	Screw, Shoulder Ball, 5/16-18 x .48
8	MTD710-04484	Hex Washer Screw, 5/16-18 x .750
9	MTD710-0528	Hex Cap Screw, 5/16-18 x 1.25
10	MTD710-0599	Hex Washer Screw, ¼-20 x .500
11	MTD710-1880	Hex Head Screw, 5/16-18 x .75 Patch
12	MTD711-06068	Pin, .188 x 4.1
13	MTD711-06094A	Ferrule, 3/8 ID x .420 Shldr
14	MTD712-04063	Flange Lock Nut, 5/16-18
15	MTD712-04064	Flange Lock Nut, ¼-20
16	MTD712-04065	Flange Lock Nut, 3/8-16
17	MTD712-04150	Flange Lock Nut, ½-13
18	MTD714-04040	Bow-Tie Cotter Pin
19	MTD727-04400A	Dampener, .87 OD x 7.06Lg
20	MTD728-05012	Nut, 5/16-18

CONTROLS		
REF #	PART #	DESCRIPTION
21	MTD732-05075	Compression Spring, .45 x 3.215
22	MTD732-1162	Extension Spring, .56 x 2.31 x .105
23	MTD936-0140	Flat Washer, .385 x .62 x .063
24	MTD736-0621	Washer, Wave, .785 x 1.0 x .012
25	MTD936-3008	Flat Washer, .344 x .750 x .120
26	MTD938-0255	Shoulder Screw, .375 Dia. x .181
27	MTD738-05025	Shoulder Screw, .498 Dia. x 1.2963
28	MTD738-05033	Shoulder Screw, .75 x 3.25 x ½-13
29	MTD738-05034	Shoulder Screw, .395 Dia. x .56
30	MTD741-04050	Bearing, .75 x 1.00 x .73
31	MTD741-0748	Flange Bearing, .500 x .627
32	MTD946-05008	Park Brake Cable
33	MTD747-06295	Lapbar Detent Rod, RH
34	MTD747-06294	Lapbar Detent Rod, LH
35	MTD747-06149A	Hydro Control Rod, RH
36	MTD747-06160A	Hydro Control Rod, LH
37	MTD941-00022	Lower Arm
38	MTD720-05008	Lapbar Grip, Long 1.125 x 12.0 Lg
39	MTD738-05074	Shoulder Screw, .395 Dia. x .83



CREATIVE EQUIPMENT CC

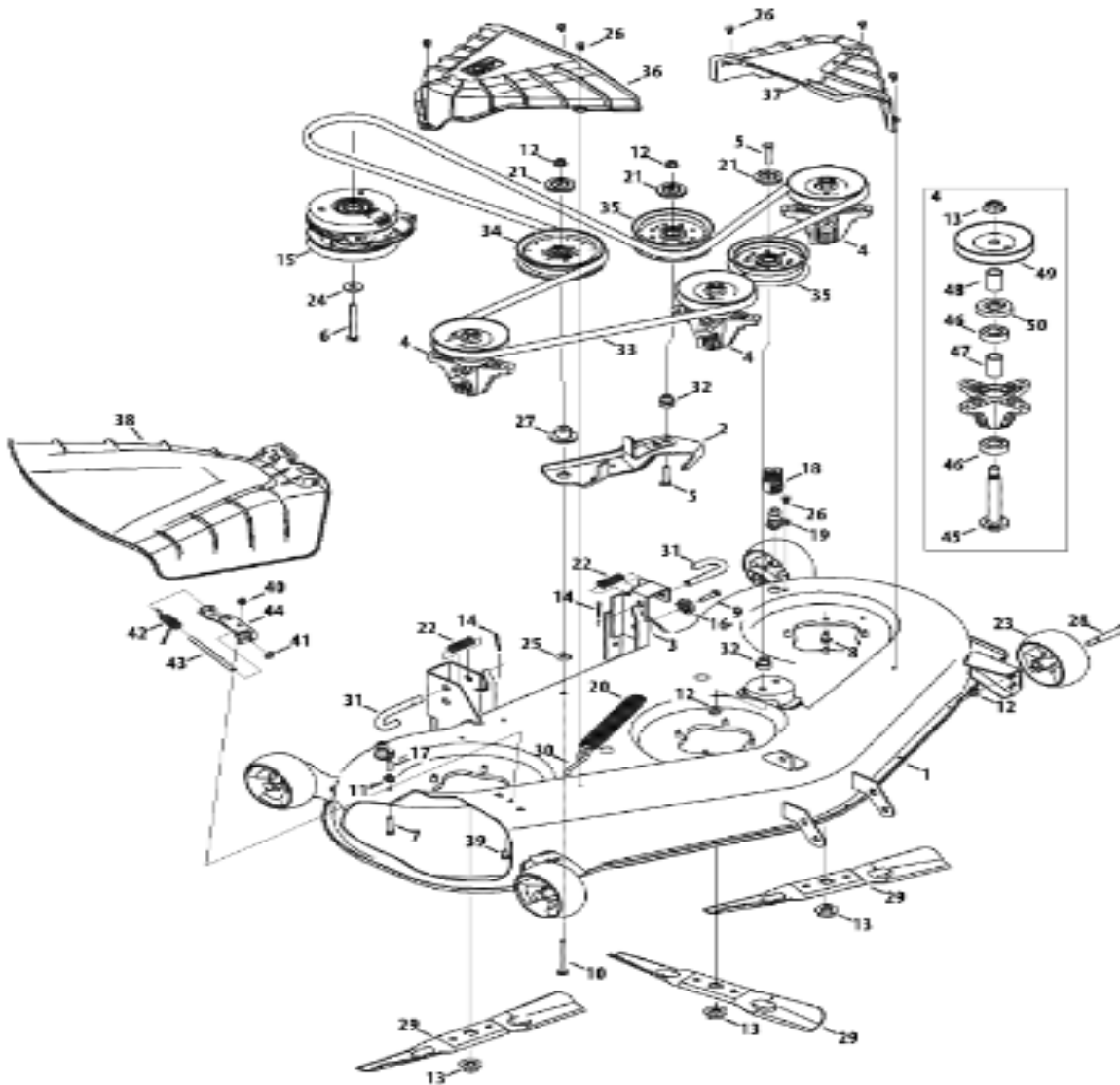
18 Main Road, Fishers Hill, Germiston, 1401
Tel: 011 828 5085 Fax: 011-828-5085
sales@talontools.co.za www.talontools.co.za



ILLUSTRATED PARTS LIST

MODEL	MTD-RZT-L	OUTPUT	25hp
PRODUCT	CUB CADET		

50" Deck



**CREATIVE EQUIPMENT CC**

18 Main Road, Fishers Hill, Germiston, 1401
 Tel: 011 828 5085 Fax: 011-828-5085
sales@talontools.co.za www.talontools.co.za

**ILLUSTRATED PARTS LIST**

MODEL MTD-RZT-L OUTPUT 25hp
 PRODUCT CUB CADET

50" DECK		
REF #	PART #	DESCRIPTION
1	MTD903-05189	50" Deck Assembly
2	MTD903-05211	Deck Idler Assembly
3	MTD603-05215	Deck Lift Bracket
4	MTD918-06980	Spindle Assembly
5	MTD710-0347	Hex Cap Screw, 3/8-16 x 1.75
6	MTD710-04379A	Hex Cap Screw, 7/16-20 x 3.50
7	MTD710-0805A	Hex Head Screw, 5/16-18 x 1.50
8	MTD710-1260A	Hex Washer Screws, 5-16-18 x .750
9	MTD710-3120	Hex Flange Screw, 3/8-16
10	MTD710-3130	Hex Bolt 3/8-16 x 3.25"
11	MTD712-04063	Flange Lock Nut, 5/16-18
12	MTD712-04065	Flange Lock Nut, 3/8-16
13	MTD712-0417A	Hex Flange Nut, 5/8-18
14	MTD714-0162	Cotter Pin, 5/32 x 1.25
15	MTD917-05209	Clutch, Electric PTO
16	MTD917-05298	Deck Adjustment Gear
17	MTD720-05075	Vinyl Cap, .29 x 1.00
18	MTD921-04041	Water Nozzle Adapter
19	MTD731-07487	Deck Wash Nozzle
20	MTD732-04927	Extension Spring, 1.25 OD x 1.751
21	MTD783-08389	Pulley Cap
22	MTD932-3127	Compression Spring, .66 x 1.9
23	MTD734-04155	Deck Ball Wheel, 5.0
24	MTD736-0322	Flat Washer, .450 x 1.25 x .164
25	MTD736-0344	Flat Washer, .385 x 1.0 x .030

50" DECK		
REF #	PART #	DESCRIPTION
26	MTD738-04502	Shoulder Screw, ¼-20 x 0.50
27	MTD738-05081	Shoulder Spacer
28	MTD938-3056	Shoulder Screw, .5 x 2.5 x 3/8-16
29	MTD942-05052A	Blade, Cut, 17.27" 2-in-1
30	MTD747-05608	Deck Spring Rod
31	MTD747-06292	Deck Hanger Rod
32	MTD748-05029A	Shoulder Spacer
33	MTD954-05078	V-belt
34	MTD756-04511B	Idler Pulley, 5.00 Dia.
35	MTD756-05034	Pulley, Idler, 4.50" Dia.
36	MTD731-09968	Belt Cover, RH
37	MTD731-09969A	Belt Cover, LH
38	MTD631-05116B	Chute Deflector Assembly
39	MTD710-0751	Hex Cap Screw, ¼-20 x .62
40	MTD712-04064	Nut, Flange Lock, ¼-20, Nylon
41	MTD726-04009	Push Cap
42	MTD732-05261	Spring, Torsion, .440 ID x 1.75
43	MTD747-06290B	Hinge Pin
44	MTD783-08504A	Bracket, Chute, 42"
45	MTD738-1186A	Spindle Shaft, 6.11 Long
46	MTD941-0919B	Ball Bearing
47	MTD750-04936	Spacer, .792 x 1.060 x 1.860
48	MTD750-06152	Spacer, .792 x 1.060 x 1.782
49	MTD756-05036	Deck Pulley
50	MTD783-08435	Bearing Shield



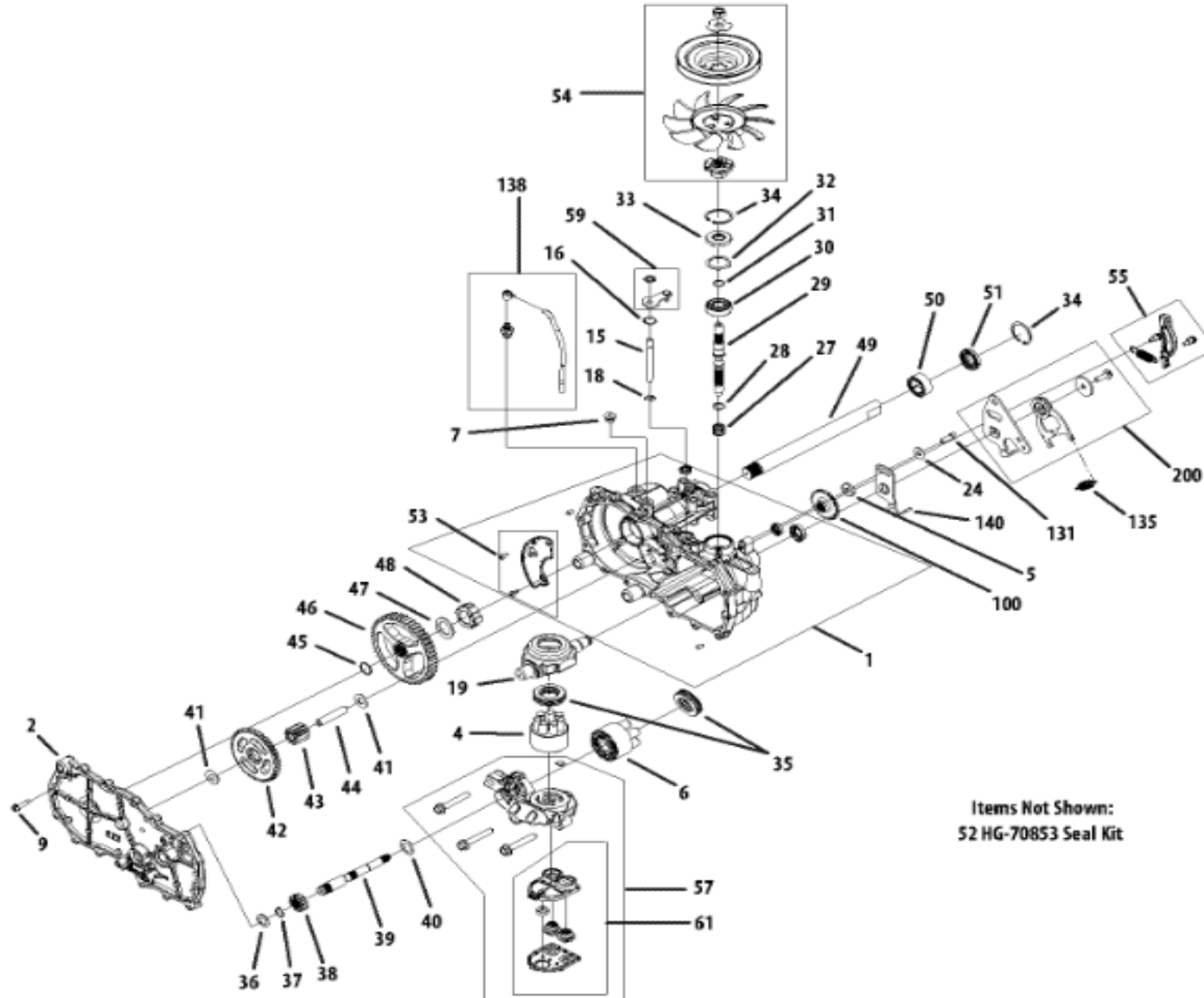
CREATIVE EQUIPMENT CC

18 Main Road, Fishers Hill, Germiston, 1401
Tel: 011 828 5085 Fax: 011-828-5085
sales@talontools.co.za www.talontools.co.za



ILLUSTRATED PARTS LIST

MODEL MTD-RZT-L OUTPUT 25hp
PRODUCT CUB CADET



Items Not Shown:
52 HG-70853 Seal Kit

**CREATIVE EQUIPMENT CC**

18 Main Road, Fishers Hill, Germiston, 1401
 Tel: 011 828 5085 Fax: 011-828-5085
sales@talontools.co.za www.talontools.co.za

**ILLUSTRATED PARTS LIST**

MODEL MTD-RZT-L OUTPUT 25hp
 PRODUCT CUB CADET

LH TRANSMISSION 618-05128A		
REF #	PART #	DESCRIPTION
1	HG-71097	Kit, Housing, Main, LH
2	HG-70983L	Kit, Housing, Side, LH
4	HG-70723	Kit, Block, 7 Piston
5	HG-52527	Spacer, .320 x 1.005 x .150
6	HG-70331	Kit, Block, 10cc Cylinder
7	HG-9005110-5600	Plug, 9/16-18
9	HG-53246	Screw, Hex Washer
15	HG-51625	Rod, Bypass
16	HG-51627	Ring, Ret .375 External
18	HG-51628	Ring, Retaining .375 External
19	HG-51048	Trunnion, Swashplate
24	MTD736-0371	Washer, .34 x .88 x .06
27	HG-2003014	Spring, Block
28	HG-2003017	Washer, .59 x .79 x .04
29	HG-51062	Shaft, Input
30	HG-50315	Ball Bearing 17 x 40 x 12
31	HG-2000022	Ring, Reatining
32	HG-50951	Washer, 1.23 x 1.57 x .04
33	HG-51161	Seal, Lip 17 x 40 x 7
34	HG-50329	Ring Retaining Internal
35	HG-50551P	Trust Bearing, 30 x 52 x 13
36	HG-44371	Washer, .63 x 1.00 x .05
37	HG-44145	Ring, Reatining, Motor Shaft
38	HG-51130	Gear, 13T Pinion
39	HG-51845	Shaft, Motor

LH TRANSMISSION 618-05128A		
REF #	PART #	DESCRIPTION
40	HG-51069	Washer, .71 x 1.16 x 0.4
41	HG-50132	Washer
42	HG-51129	Gear, 10T/48T
43	HG-51043	Gear, 10T Jackshaft
44	HG-51083	Pin, Jackshaft
45	HG-52531	Ring, Spiral Retaining-87
46	HG-52541	Gear, Bull 52T
47	HG-52532	Washer, 1.018 x 1.571 x .105
48	HG-52542	Buahing, Sleeve (Inboard)
49	HG-52545	Shaft, Axle, 1.00 x 11.70 DD
50	HG-51517	Bushing, 1.003 x 1.571 x .625
51	HG-51518	Seal, Lip, TC4, 1.00 x 1.577 x .27
52	HG-70853	Kit, Seals & Rings
53	HG-70868L	Kit, Expansion Plate LH
54	HG-72135	Kit, Fan & Pulley
55	HG-71356	Kit, Brake Arm
57	HG-71529	Kit, Center Section LH
59	HG-71006	Kit, Bypass Arm
61	HG-71497	Kit, Filter
100	HG-51635	Disc, Cog Brake
131	HG-71341	Socket Cap Screw, 5/16-24 x 7/8
135	MTD732-04448	Spring, Extension
138	HG-71510	Kit, Breather
140	HG-51946	Arm, Left Turn
200	HG-71592	Kit, RTN Bidirectional



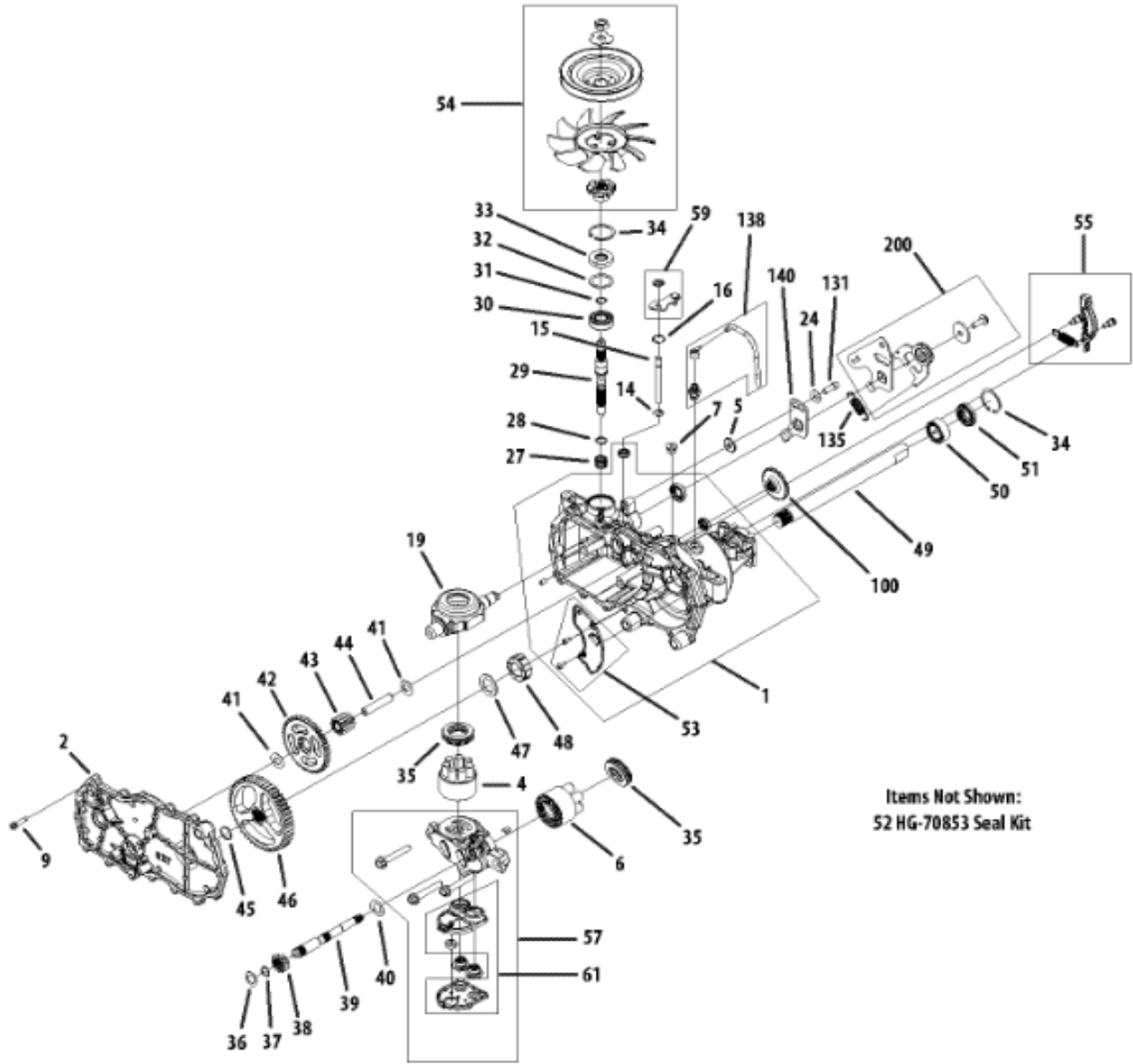
CREATIVE EQUIPMENT CC

18 Main Road, Fishers Hill, Germiston, 1401
Tel: 011 828 5085 Fax: 011-828-5085
sales@talontools.co.za www.talontools.co.za



ILLUSTRATED PARTS LIST

MODEL MTD-RZT-L OUTPUT 25hp
PRODUCT CUB CADET



Items Not Shown:
52 HG-70853 Seal Kit

**CREATIVE EQUIPMENT CC**

18 Main Road, Fishers Hill, Germiston, 1401
 Tel: 011 828 5085 Fax: 011-828-5085
sales@talontools.co.za www.talontools.co.za

**ILLUSTRATED PARTS LIST**

MODEL MTD-RZT-L OUTPUT 25hp
 PRODUCT CUB CADET

RH TRANSMISSION 618-05129A		
REF #	PART #	DESCRIPTION
1	HG-71098	Kit, Housing, Main, RH
2	HG-70983R	Kit, Housing, Side, RH
4	HG-70723	Kit, Block, 7 Piston
5	HG-52527	Spacer, .320 x 1.005 x .150
6	HG-70331	Kit, Block, 10cc Cylinder
7	HG-9005110-5600	Plug, 9/16-18
9	HG-53246	Screw, Hex Washer
14	HG-51628	Ring, Retaining .375 External
15	HG-51625	Rod, Bypass
16	HG-51627	Ring, Ret .375 External
19	HG-51048	Trunnion, Swashplate
24	MTD736-0371	Washer, .34 x .88 x .06
27	HG-2003014	Spring, Block
28	HG-2003017	Washer, .59 x .79 x .04
29	HG-51062	Shaft, Input
30	HG-50315	Ball Bearing 17 x 40 x 12
31	HG-2000022	Ring, Reatining
32	HG-50951	Washer, 1.23 x 1.57 x .04
33	HG-51161	Seal, Lip 17 x 40 x 7
34	HG-50329	Ring Retaining Internal
35	HG-50551P	Trust Bearing, 30 x 52 x 13
36	HG-44371	Washer, .63 x 1.00 x .05
37	HG-44145	Ring, Reatining, Motor Shaft
38	HG-51130	Gear, 13T Pinion
39	HG-51845	Shaft, Motor

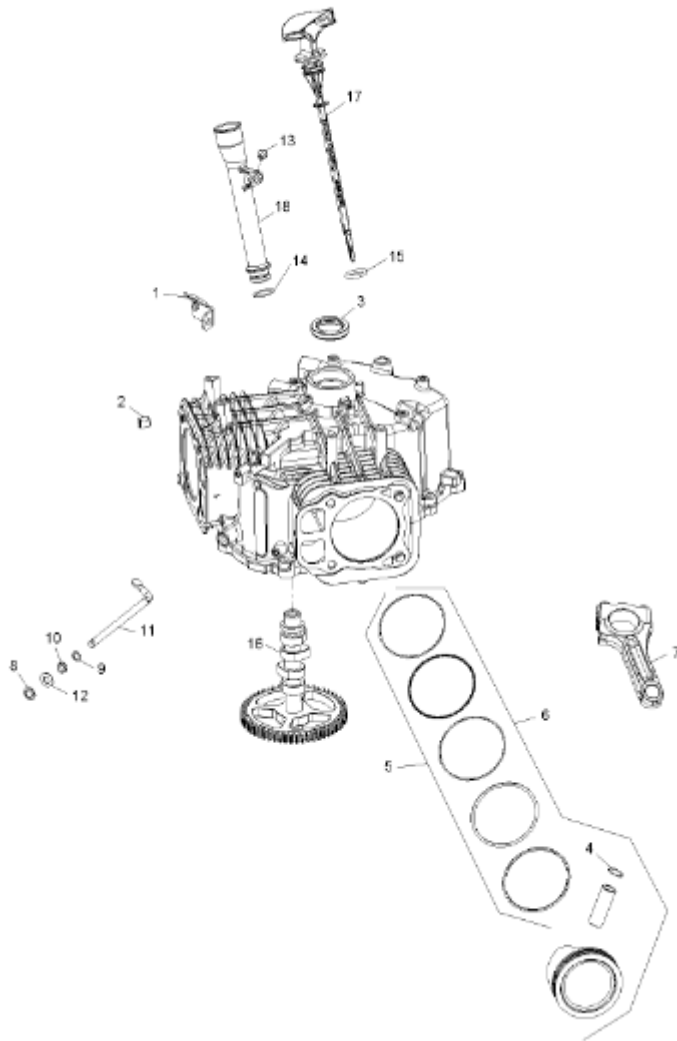
RH TRANSMISSION 618-05129A		
REF #	PART #	DESCRIPTION
40	HG-51069	Washer, .71 x 1.16 x 0.4
41	HG-50132	Washer
42	HG-51129	Gear, 10T/48T
43	HG-51043	Gear, 10T Jackshaft
44	HG-51083	Pin, Jackshaft
45	HG-52531	Ring, Spiral Retaining-87
46	HG-52541	Gear, Bull 52T
47	HG-52532	Washer, 1.018 x 1.571 x .105
48	HG-52542	Buahing, Sleeve (Inboard)
49	HG-52545	Shaft, Axle, 1.00 x 11.70 DD
50	HG-51517	Bushing, 1.003 x 1.571 x .625
51	HG-51518	Seal, Lip, TC4, 1.00 x 1.577 x .27
52	HG-70853	Kit, Seals & Rings
53	HG-70868R	Kit, Expansion Plate RH
54	HG-72135	Kit, Fan & Pulley
55	HG-71356	Kit, Brake Arm
57	HG-71530	Kit, Center Section RH
59	HG-71357	Kit, Bypass Arm
61	HG-71497	Kit, Filter
100	HG-51635	Disc, Cog Brake
131	HG-71341	Socket Cap Screw, 5/16-24 x 7/8
135	MTD732-04448	Spring, Extension
138	HG-71510	Kit, Breather
140	HG-51945	Arm, Neutral Right
200	HG-71588	Kit, RTN Bidirectional

**CREATIVE EQUIPMENT CC**

18 Main Road, Fishers Hill, Germiston, 1401
 Tel: 011 828 5085 Fax: 011-828-5085
sales@talontools.co.za www.talontools.co.za

**ILLUSTRATED PARTS LIST**

MODEL MTD-RZT-L OUTPUT 25hp
 PRODUCT CUB CADET

Kohler KT740-3024 Crankcase**KOHLER KT740-3024 CRANKCASE**

REF #	PART #	DESCRIPTION
1	KH-24-126-243-S	Lifting Strap
2	KH-24-380-16-S	Locating Pin
3	KH-24-032-19-S	Oil Seal, 1.78 x 1.26
4	KH-24-018-01-S	Piston Pin Retainer
5	KH-25-108-01-S	Piston Ring Set (STD)
-	KH-25-108-02-S	Piston Ring Set (.08)
-	KH-25-108-03-S	Piston Ring Set (.25)
-	KH-25-108-04-S	Piston Ring Set (.50)
6	KH-25-874-13-S	Piston Kit w/Ring (STD)(Inc. 4 & 5)
-	KH-25-874-15-S	Piston Kit w/Ring (.08)
-	KH-25-874-16-S	Piston Kit w/Ring (.25)
-	KH-25-874-17-S	Piston Kit w/Ring (.50)
7	KH-24-067-30-S	Connecting Rod (STD)
-	KH-24-067-31-S	Connecting Rod (U/S .010)(25mm)
8	KH-24-018-09-S	Ring Retainer
9	KH-24-468-15-S	Flat Washer, 11/32"
10	KH-28-032-09-S	Governor Cross Shaft Seal
11	KH-24-144-38-S	Governor Cross Shaft
12	KH-M-931010-S	Flat Washer, 9mm
13	KH-25-086-398-S	Thread Forming Screw
14	KH-12-153-07	O-Ring
15	KH-25-153-09-S	O-Ring
16	KH-32-010-07-S	Camshaft Assembly
17	KH-32-038-12-S	Dipstick Assembly
18	KH-32-123-14-S	Oil Fill Tube Assembly



CREATIVE EQUIPMENT CC

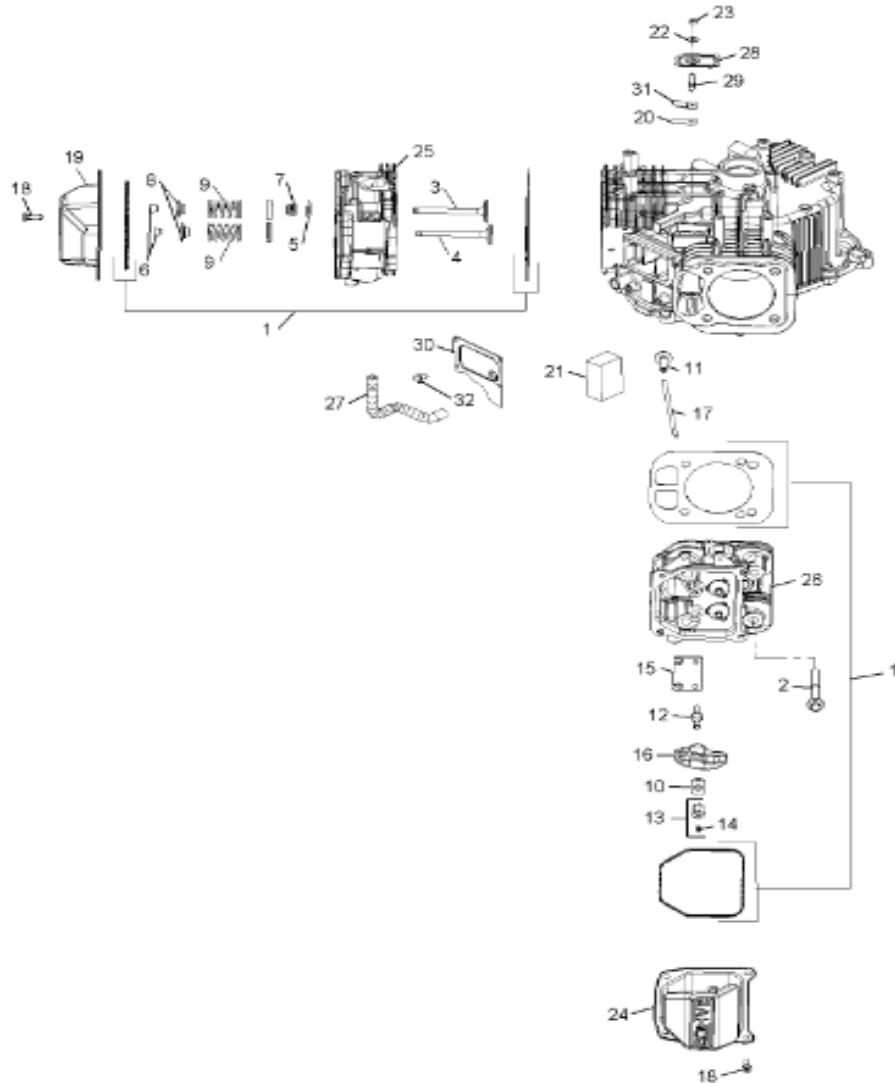
18 Main Road, Fishers Hill, Germiston, 1401
Tel: 011 828 5085 Fax: 011-828-5085
sales@talontools.co.za www.talontools.co.za



ILLUSTRATED PARTS LIST

MODEL	MTD-RZT-L	OUTPUT	25hp
PRODUCT	CUB CADET		

Kohler KT740-3024 Head/Valve/Breather



**CREATIVE EQUIPMENT CC**

18 Main Road, Fishers Hill, Germiston, 1401
 Tel: 011 828 5085 Fax: 011-828-5085
sales@talontools.co.za www.talontools.co.za

**ILLUSTRATED PARTS LIST**

MODEL MTD-RZT-L OUTPUT 25hp
 PRODUCT CUB CADET

KOHLER KT740-3024 HEAD/VALVE/BREATHER		
REF #	PART #	DESCRIPTION
1	KH-32-841-02-S	Cylinder Head Gasket Kit (Inc Head Mounting Hardware)
2	KH-62-086-08-S	Flange Screw, M10 x 1.5 x 90
3	KH-32-017-01-S	Intake Valve
4	KH-32-016-01-S	Exhaust Valve
5	KH-275067	Spacer (.010")
6	KH-12-755-03	Retainer Kit
7	KH-25-032-14-S	Valve Bank Seal
8	KH-25-173-28-S	Valve Spring Cap
9	KH-32-089-05-S	Valve Spring
10	KH-25-599-01-S	Rocker Arm Pivot
11	KH-32-019-02-S	Tappet
12	KH-32-072-04-S	Rocker Stud
13	KH-32-100-05-S	Hex Nut Assembly (Inc. #14)
14	KH-25-086-168-S	Set Screw
15	KH-32-146-09-S	Guide Plate
16	KH-32-186-03-S	Rocker Arm

KOHLER KT740-3024 HEAD/VALVE/BREATHER		
REF #	PART #	DESCRIPTION
17	KH-32-411-04-S	Push Rod
18	KH-25-086-374-S	Pan Head Screw
19	KH-25-096-09-S	Rocker Cover
20	KH-12-402-02	Breather Reed
21	KH-32-050-06-S	Breather Filter
22	KH-32-468-01-S	Sealing Washer
23	KH-M-547050-S	Lock Nut, MS x 8
24	KH-25-096-11-S	Rocker Cover
25	KH-32-318-21-S	Cylinder Head Assembly Kit, #1 (Inc. Exhaust Mounting Hardware)
26	KH-32-318-22-S	Cylinder Head Assembly Kit, #2 (Inc. Exhaust Mounting Hardware)
27	KH-25-326-62-S	Breather Hose
28	KH-32-096-16-S	Breather Cover
29	KH-32-072-05-S	Stud
30	KH-16-096-02-S	Breather Media Cover
31	KH-66-018-04-S	Reed Retainer
32	KH-25-086-400-S	Thread Forming Screw



CREATIVE EQUIPMENT CC

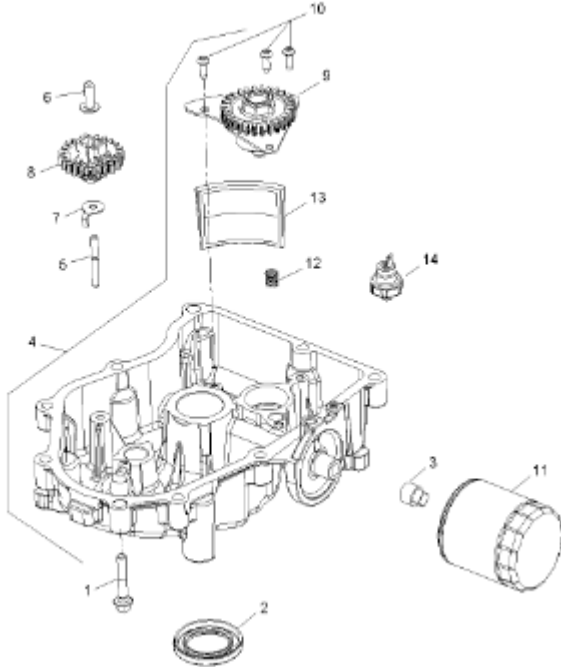
18 Main Road, Fishers Hill, Germiston, 1401
 Tel: 011 828 5085 Fax: 011-828-5085
sales@talontools.co.za www.talontools.co.za



ILLUSTRATED PARTS LIST

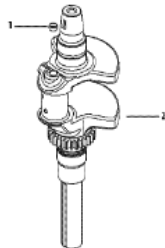
MODEL MTD-RZT-L OUTPUT 25hp
 PRODUCT CUB CADET

Kohler KT740-3024 Oil Pan/Lubrication



KOHLER KT740-3024 OIL PAN/LUBRICATION		
REF #	PART #	DESCRIPTION
1	KH-24-086-17-S	Flange Screw, M* x 1.25 x 45
2	KH-25-032-06-S	Oil Seal, 2.38 x 1.45
3	KH-25-139-57-S	Square Head Pipe Plug, 3/8
4	KH-32-199-17-S	Oil Pan Assembly
5	KH-12-1144-02	Governor Gear Shaft
6	KH-12-380-01	Governor Regulating Pin
7	KH-24-448-02-S	Locking Tag
8	KH-32-310-02-S	Governor Gear Kit
9	KH-32-393-18-S	Oil Pump Assembly
10	KH-25-086-414-S	Button Head Screw
11	KH-12-050-01-S	Oil Filter
12	KH-32-089-06-S	Compression Spring
13	KH-32-162-06-S	Oil Screen
14	KH-25-099-27-S	Oil Pressure Switch

Kohler KT740-3024 Crankshaft



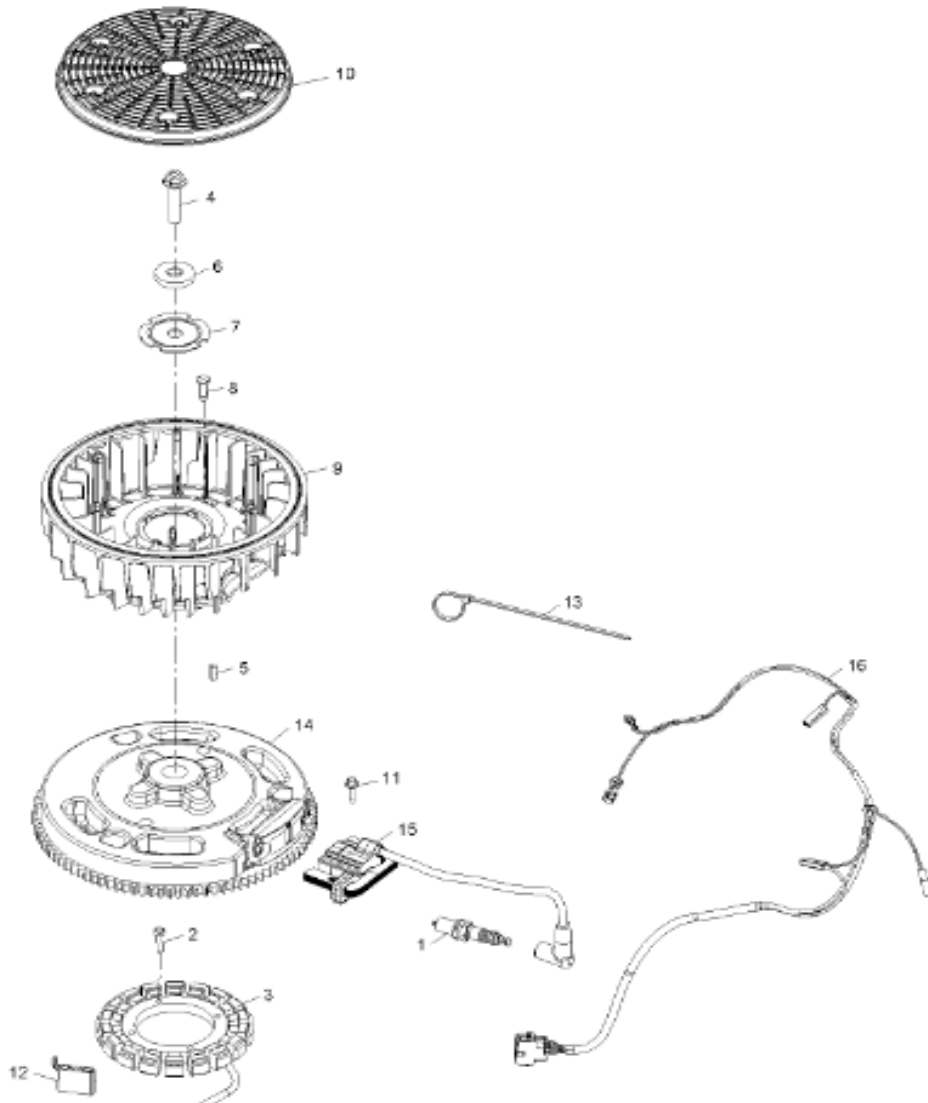
KOHLER KT740-3024 CRANKSHAFT		
REF #	PART #	DESCRIPTION
1	KH-52-139-09-S	Cup Plug
2	KH-32-014-327-S	Crankshaft

**CREATIVE EQUIPMENT CC**

18 Main Road, Fishers Hill, Germiston, 1401
 Tel: 011 828 5085 Fax: 011-828-5085
sales@talontools.co.za www.talontools.co.za

**ILLUSTRATED PARTS LIST**

MODEL MTD-RZT-L OUTPUT 25hp
 PRODUCT CUB CADET

Kohler KT740-3024 Ignition/Electrical

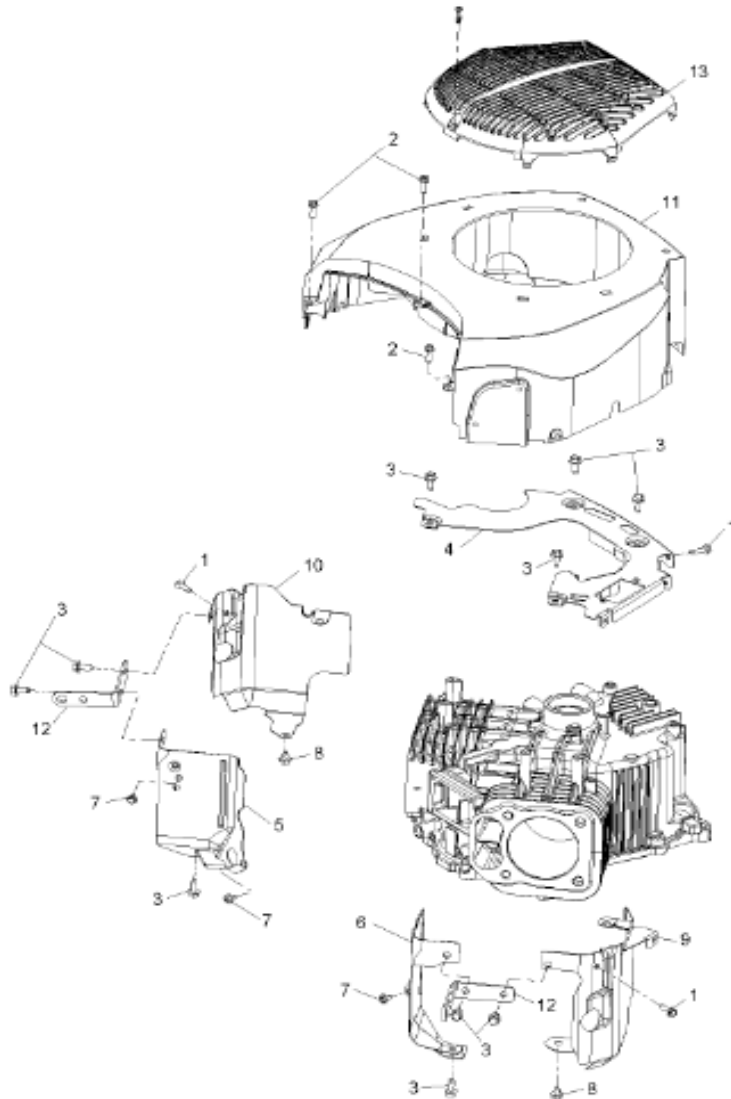
KOHLER KT740-3024 IGNITION/ELECTRICAL		
REF #	PART #	DESCRIPTION
1	KH-25-132-16-S	Sparkplug
2	KH-25-086-402-S	Thread Forming Screw
3	KH-237878	15 Amp Stator Kit
4	KH-25-086-361-S	Hex Flange Screw
5	KH-25-340-04-S	Square Key
6	KH-25-468-09-S	Flat Washer
7	KH-20-146-05-S	Fan Mounting Plate
8	KH-32-018-03-S	Flywheel Fan Retainer
9	KH-32-157-04-S	Fan
10	KH-32-162-03-S	Grass Screen
11	KH-25-086-473-S	Thread Forming Screw
12	KH-25-155-41-S	Connector
13	KH-25-454-03-S	Wire Tie
14	KH-32-025-21-S	Flywheel Assembly
15	KH-32-584-07-S	Ignition Module
16	KH-32-176-34-S	Wiring Harness

**CREATIVE EQUIPMENT CC**

18 Main Road, Fishers Hill, Germiston, 1401
 Tel: 011 828 5085 Fax: 011-828-5085
sales@talontools.co.za www.talontools.co.za

**ILLUSTRATED PARTS LIST**

MODEL MTD-RZT-L OUTPUT 25hp
 PRODUCT CUB CADET

Kohler KT740-3024 Blower Housing & Baffles

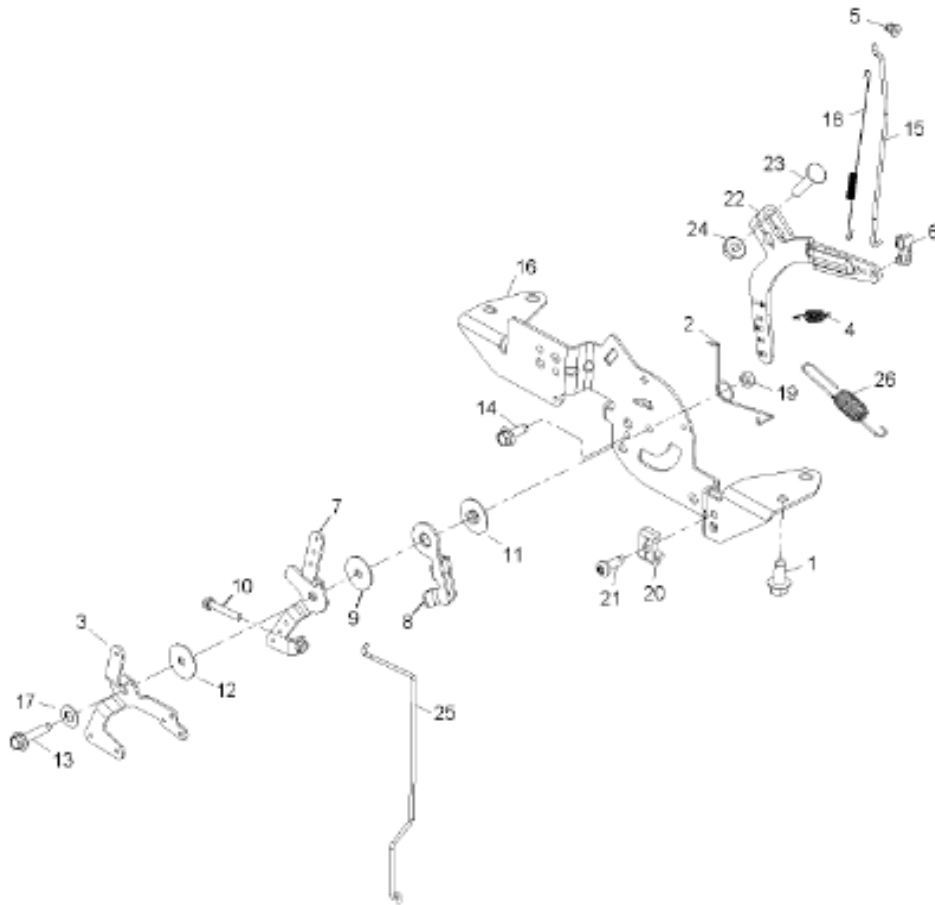
KOHLER KT740-3024 BLOWER HOUSING & BAFFLES		
REF #	PART #	DESCRIPTION
1	KH-25-086-473-S	Thread Forming Screw
2	KH-25-086-450-S	Hi-Low Screw
3	KH-25-086-397-S	Thread Forming Screw
4	KH-32-146-15-S	Backing Plate
5	KH-32-063-19-S	Valley Baffle, #1 Cylinder
6	KH-32-063-20-S	Valley Baffle, #2 Cylinder
7	KH-25-086-400-S	Thread Forming Screw
8	KH-25-086-406-S	Thread Forming Screw
9	KH-32-063-17-S	Left Barrel Baffle
10	KH-32-063-18-S	Right Barrel Baffle
11	KH-32-027-17-S	Blower Housing
12	KH-32-445-01-S	Lift Strap
13	KH-32-314-06-S	Fixed Guard

**CREATIVE EQUIPMENT CC**

18 Main Road, Fishers Hill, Germiston, 1401
 Tel: 011 828 5085 Fax: 011-828-5085
sales@talontools.co.za www.talontools.co.za

**ILLUSTRATED PARTS LIST**

MODEL MTD-RZT-L OUTPUT 25hp
 PRODUCT CUB CADET

Kohler KT740-3024 Engine Controls

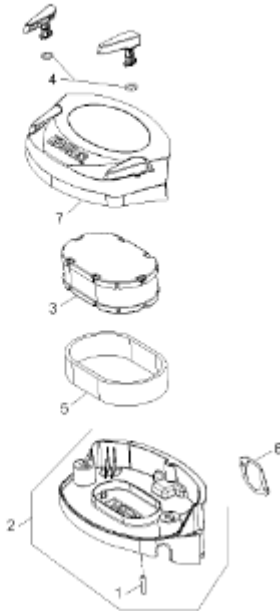
KOHLER KT740-3024 ENGINE CONTROLS		
REF #	PART #	DESCRIPTION
1	KH-25-086-397-S	Thread Forming Screw
2	KH-24-089-03	Choke Return Spring
3	KH-24-090-05	Choke Lever
4	KH-24-089-55-S	Governor Spring
5	KH-25-158-08	Linkage Retaining Bushing
6	KH-25-158-11	Throttle Linkage Bushing
7	KH-24-090-13	Throttle Control Lever
8	KH-24-090-47-S	Throttle Actuator Lever
9	KH-24-468-20-S	Flat Washer, 5mm
10	KH-M-403025	Screw, M4 x 0.7 x 25
11	KH-24-112-27-S	Control Assembly Spacer
12	KH-24-468-01	Flat Washer, 5.5mm
13	KH-25-086-473-S	Thread Forming Screw
14	KH-25-086-398-S	Thread Forming Screw
15	KH-32-079-01-S	Throttle Linkage
16	KH-32-126-04-S	Control Bracket
17	KH-41-468-03	Spring Washer, 1/4
18	KH-32-089-07-S	Linkage Spring
19	KH-M- 547050-S	Lock Nut, M5 x .8
20	KH-12-237-01	Cable Clamp
21	KH-25-086-405-S	Thread Forming Screw
22	KH-24-090-69-S	Governor Lever
23	KH-24-211-03-S	Bolt, M6 x 1.0 x 25
24	KH-M-641060-S	Flange Nut, M6 x 1.0
25	KH-24-079-22-S	Choke Linkage
26	KH-24-089-18	Governor Spring

**CREATIVE EQUIPMENT CC**

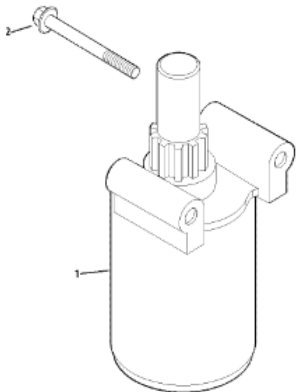
18 Main Road, Fishers Hill, Germiston, 1401
 Tel: 011 828 5085 Fax: 011-828-5085
sales@talontools.co.za www.talontools.co.za

**ILLUSTRATED PARTS LIST**

MODEL MTD-RZT-L OUTPUT 25hp
 PRODUCT CUB CADET

Kohler KT740-3024 Air Intake/Filtration

KOHLER KT740-3024 AIR INTAKE/FILTRATION		
REF #	PART #	DESCRIPTION
1	KH-25-173-09-S	Masking Cap
2	KH-32-094-13-S	Air Cleaner Base Assembly
3	KH-32-883-09-S1	Air Filter Element
4	KH-25-153-15-S	O-Ring
5	KH-32-083-10-S	Pre-Cleaner Element
6	KH-32-041-04-S	Air Cleaner Base Gasket
7	KH-32-096-20-S	Air Cleaner Cover Assembly

Kohler KT740-3024 Starting System

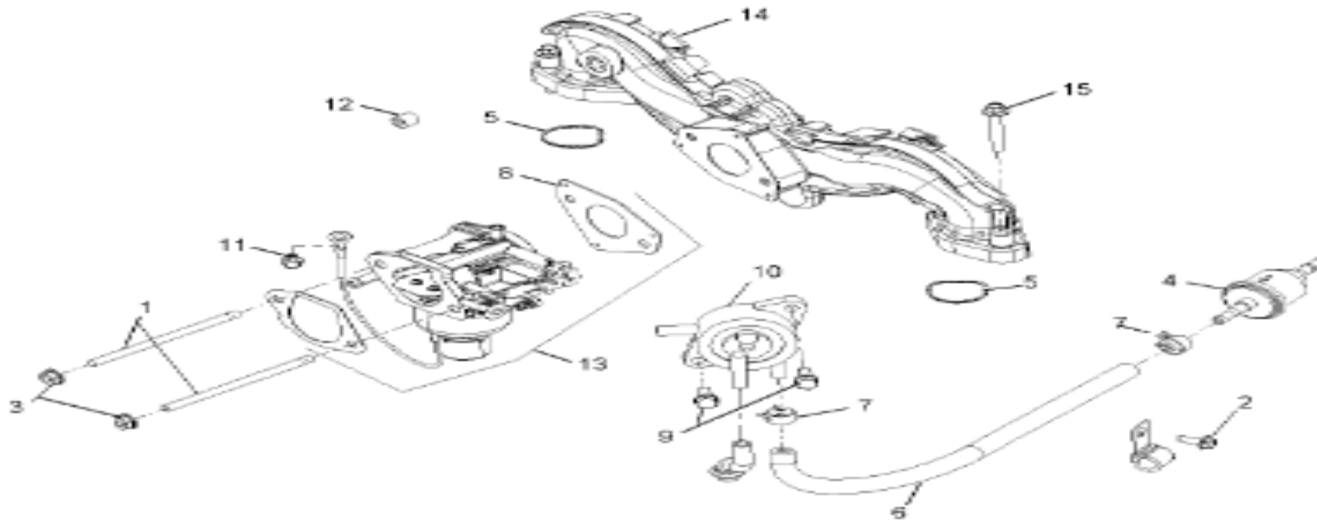
KOHLER KT740-3024 STARTING SYSTEM		
REF #	PART #	DESCRIPTION
1	KH-32-098-04-S	Starter Assembly
2	KH-M-851080-S	Flange Screw, M8 x 1.25 x 80

**CREATIVE EQUIPMENT CC**

18 Main Road, Fishers Hill, Germiston, 1401
 Tel: 011 828 5085 Fax: 011-828-5085
sales@talontools.co.za www.talontools.co.za

**ILLUSTRATED PARTS LIST**

MODEL MTD-RZT-L OUTPUT 25hp
 PRODUCT CUB CADET

Kohler KT740-3024 Fuel System

KOHLER KT740-3024 FUEL SYSTEM		
REF #	PART #	DESCRIPTION
1	KH-25-072-25-S	Stud
2	KH-25-086-398-S	Thread Forming Screw
3	KH-M-641060-S	Flange Nut, M6 x 1.0
4	KH-25-050-22-S1	Fuel Filter
5	KH-24-153-27-S	Intake Port O-Ring
6	KH-25-111-81-S	Fuel Line, 24"
7	KH-25-237-37-S	Spring Hose Clamp
8	KH-24-041-52-S	Carburettor Gasket

KOHLER KT740-3024 FUEL SYSTEM		
REF #	PART #	DESCRIPTION
9	KH-24-086-12	Tap Screw, M6 x 1.7 x 18
10	KH-24-393-16	Fuel Pump
11	KH-25-086-400-S	Tread Forming Screw
12	KH-25-139-60-S	Pipe Plug, 1/8
13	KH-32-853-34-S	Carburettor Kit
14	KH-24-164-91-S	Intake Manifold Kit
15	KH-M-651040-S	Flange Screw, M6 x 1.0 x 40