



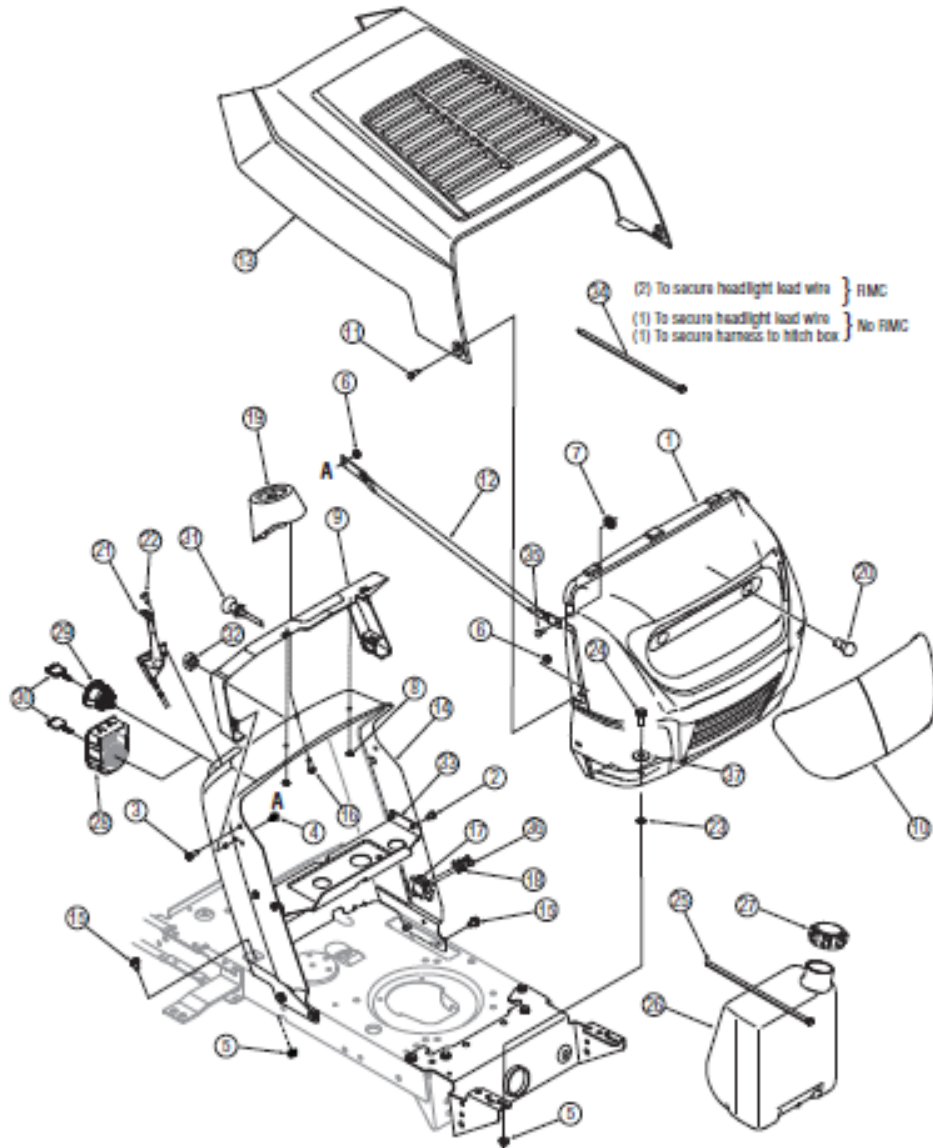
CREATIVE EQUIPMENT CC

18 Main Road, Fishers Hill, Germiston, 1401
Tel: 011 828 5085 Fax: 011-828-5085
crequip@global.co.za www.creativelp.co.za



ILLUSTRATED PARTS LIST

MODEL	MTD135	OUTPUT	13,5hp
PRODUCT	RIDE-ON LAWNMOWER		



**CREATIVE EQUIPMENT CC**

18 Main Road, Fishers Hill, Germiston, 1401
 Tel: 011 828 5085 Fax: 011-828-5085
 crequip@global.co.za www.creativelp.co.za

**ILLUSTRATED PARTS LIST**

MODEL MTD135 OUTPUT 13,5hp
 PRODUCT RIDE-ON LAWNMOWER

REF #	PART #	DESCRIPTION
1	MTD783-04979	GRILLE
2	MTD710-0599	SCREW, ¼-20, 0.500
3	MTD710-0642	SCREW, ¼-20, 0.750
4	MTD726-04072	RATCHET CLIP .250 dia. x .500 lg.
5	MTD712-04063	NUT, FLANGE LOCK, 5/16-18, GrF
6	MTD712-04064	NUT, FLANGE LOCK, ¼-20, GrF
7	MTD726-04012	NUT, PUSH-ON, .25 Dia
8	MTD726-0233	PUSH NUT, .25ID x .500D
9	MTD731-04012A	COLLAR, DASH, 0-STYLE
10	MTD731-1503A	LENS
11	MTD738-0952A	SCREW, SHLDR, .375 x .125, ¼-20
12	MTD749-04220	SUPPORT ROD, GRILL
13	MTD783-04608	HOOD
14	MTD783-04892	DASH ASSEMBLY (RMC*)
	MTD783-04873	DASH ASSEMBLY (No RMC)
15	MTD710-0604A	SCREW, 5/16-18, 0.625
16	MTD710.0895	SCREW, ¼-15, 0.750
17	MTD725.04039†	SWITCH
18	MTD17965†	SWITCH PLATE
19	MTD731-04945	SUPPORT, STEERING
20	MTD725-0963	HEADLAMP, 12V
21	MTD746-04364	THROTTLE/CHOKE CABLE, 25" (Sgl. Cyl)

REF #	PART #	DESCRIPTION
	MTD746-1086	THROTTLE CONTROL, 39" (Twin Cylinder)
22	MTD710-04483	Screw, ¼-14, .500
23	MTD726-0201	SPEED NUT, .3125
24	MTD710-3008	SCREW, 5/16-18, .750
25	MTD726-0230	CABLE TIE, 34.75
26	MTD751-0555B	FUEL TANK, 1.5 gal.
27	MTD751-0603	FUEL TANK CAP
28	MTD725-04227B	MODULE, IGNITION SWITCH (RMC*)
29	MTD725-1741	MODULE, IGNITION SWITCH (NO RMC*)
30	MTD725-1744	KEY
31	MTD746-1085A	CHOKE CONTROL, 37.5"
32	MTD731-05265	CHOKE PLUG
33	MTD783-04584	GAS TANK SUPPORT BRACKET
34	MTD725-0157	CABLE TIE
35	MTD728-0162	RIVET, FLAT HEAD ¼"
36	MTD728-04021†	POP RIVET
37	MTD736-3078	FLAT WASHER, .344 x 1.00 x .063
	MTD725-04432	WIRE HARNESS (RMC)
	MTD725-04433	WIRE HARNESS (No RMC)
	MTD725-04481	WIRE HARNESS (No RMC) Kohler only
	MTD777X40065	HEADLIGHT LENS REFLECTOR

* Reverse Caution Mode

† Models equipped with Reverse Caution Mode



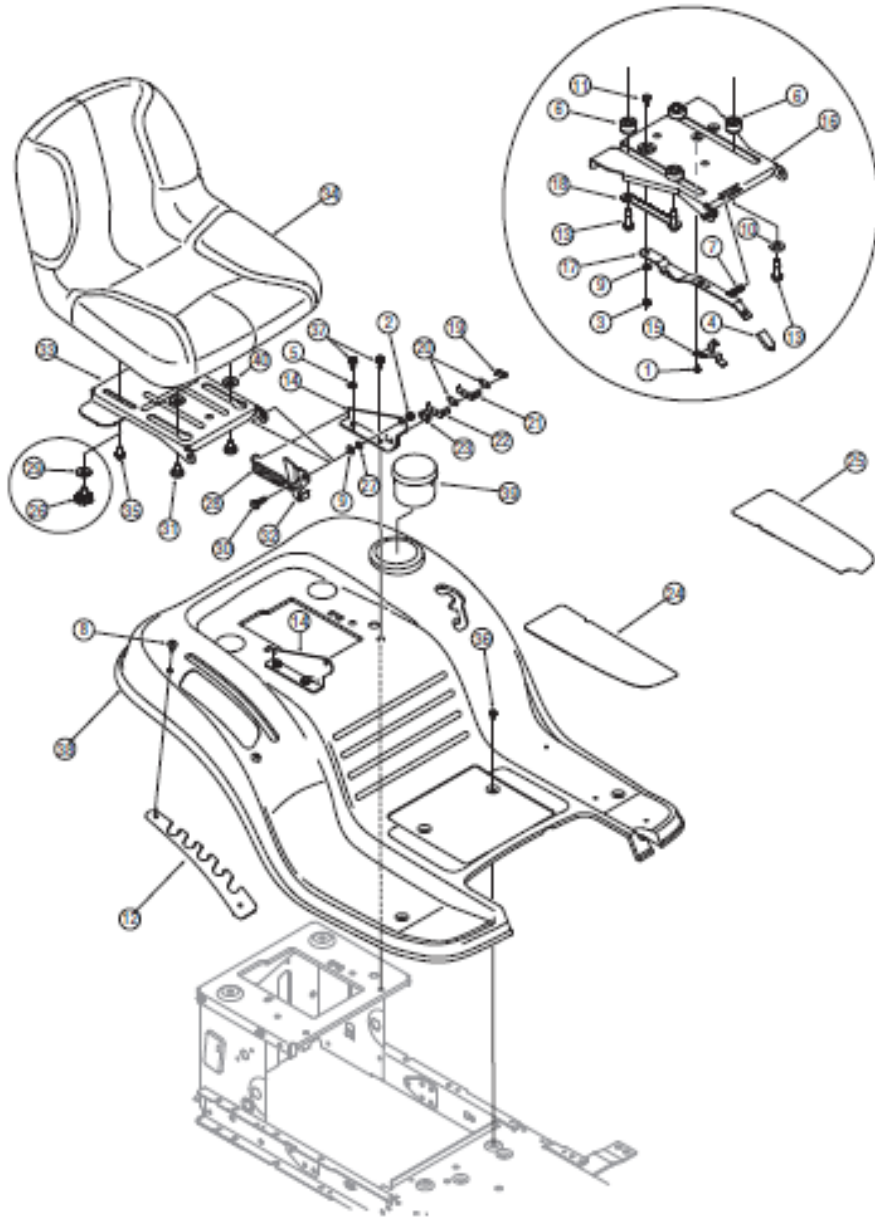
CREATIVE EQUIPMENT CC

18 Main Road, Fishers Hill, Germiston, 1401
Tel: 011 828 5085 Fax: 011-828-5085
crequip@global.co.za www.creativelp.co.za



ILLUSTRATED PARTS LIST

MODEL	MTD135	OUTPUT	13,5hp
PRODUCT	RIDE-ON LAWNMOWER		



**CREATIVE EQUIPMENT CC**

18 Main Road, Fishers Hill, Germiston, 1401
 Tel: 011 828 5085 Fax: 011-828-5085
 crequip@global.co.za www.creativelp.co.za

**ILLUSTRATED PARTS LIST**

MODEL MTD135 OUTPUT 13,5hp
 PRODUCT RIDE-ON LAWNMOWER

REF #	PART #	DESCRIPTION
1	MTD710-1268	SCREW, #10-16, .375
2	MTD712-04063	NUT, FLANGE LOCK, 5/16-18, GrF
3	MTD712-3027	NUT, FLANGE LOCK, ¼-20
4	MTD720-0309A	SEAT ADJUSTER GRIP
5	MTD736-0607	LOCK WASHER, 5/16
6	MTD731-04074	SPACER
7	MTD732-0499	COMPRESSION SPRING, .41 x 1.5
8	MTD710-04483	SCREW, ¼-20 x .500
9	MTD736-0275	WASH, FLAT, .344 x .688 x .065
10	MTD736-3019	WASH, FLAT, .531 x 1.062 x .134
11	MTD738-0137A	SCREW, SHLDER, .340 x .285, ¼-20
12	MTD783-04843	LIFT ADJUSTMENT BRACKET
13	MTD738-0966	SCREW, SHLDER, .50 x .925, 3/8-16
14	MTD783-1489C	MOUNTING BRACKET, SEAT
15	MTD783-0611	SEAT TOP
16	MTD783-0738B	SEAT PIVOT BRACKET
17	MTD783-0739A	SEAT ADJUSTMENT LEVER
18	MTD783-0753	SEAT ADJUSTMENT SELECTOR
19	MTD710-0227	SCREW, #8-18 x .50
20	MTD726-0279	PLATE, INSULATOR
21	MTD725-1303	SPRING SWITCH, OUTER
22	MTD725-1439	SPRING SWITCH, INNER
23	MTD726-0278	PLATE, INSULATOR BOSS

REF #	PART #	DESCRIPTION
24	MTD723-04025	FOOT PAD, ABRASIVE, RH
	MTD735-04048	FOOT PAD, RUBBER RH
25	MTD723-04026	FOOT PAD, ABRASIVE, LH
	MTD735-04047	FOOT PAD, RUBBER LH
26	MTD720-04061	KNOB, 3/8-16, .875
27	MTD726-0201	NUT, SPEED, .3125ld
28	MTD732-1184	SPRING, EXTEN., .84 Dia x 4.6 Lg.
29	MTD736-0101	WASHER, FLAT, .406 x 1.00 x .030
30	MTD738-0296	SCR., SHLDER, .437 x .268, 5/16-18
31	MTD738-04012A	SCREW, SHLDER, .625 x .175, 3/8-16
32	MTD783-0209D	LIFT BRACKET, SEAT
33	MTD783-04081A	PIVOT BRACKET, SEAT
34	MTD757-04001A	SEAT, LOW, BLACK
	MTD757-04037	SEAT, MEDIUM, BLACK
	MTD757-04038A	SEAT, LOW, YELLOW
35	MTD710-04482	SCREW, 3/8-16, .875
36	MTD710-0599	SCREW, ¼-20, 0.500
37	MTD710-0604A	SCREW, 5/16-18, 0.625
38	MTD783-04587A	FENDER
39	MTD731-04591A	CUP HOLDER
40	MTD736-0300	FLAT WASHER, .406 x .875 x .059
	MTD736-0140	FLAT WASHER, .395 x .62 x .063
	MTD726-3046	RATCHET CLIP <i>(For use w/rubber foot pad)</i>



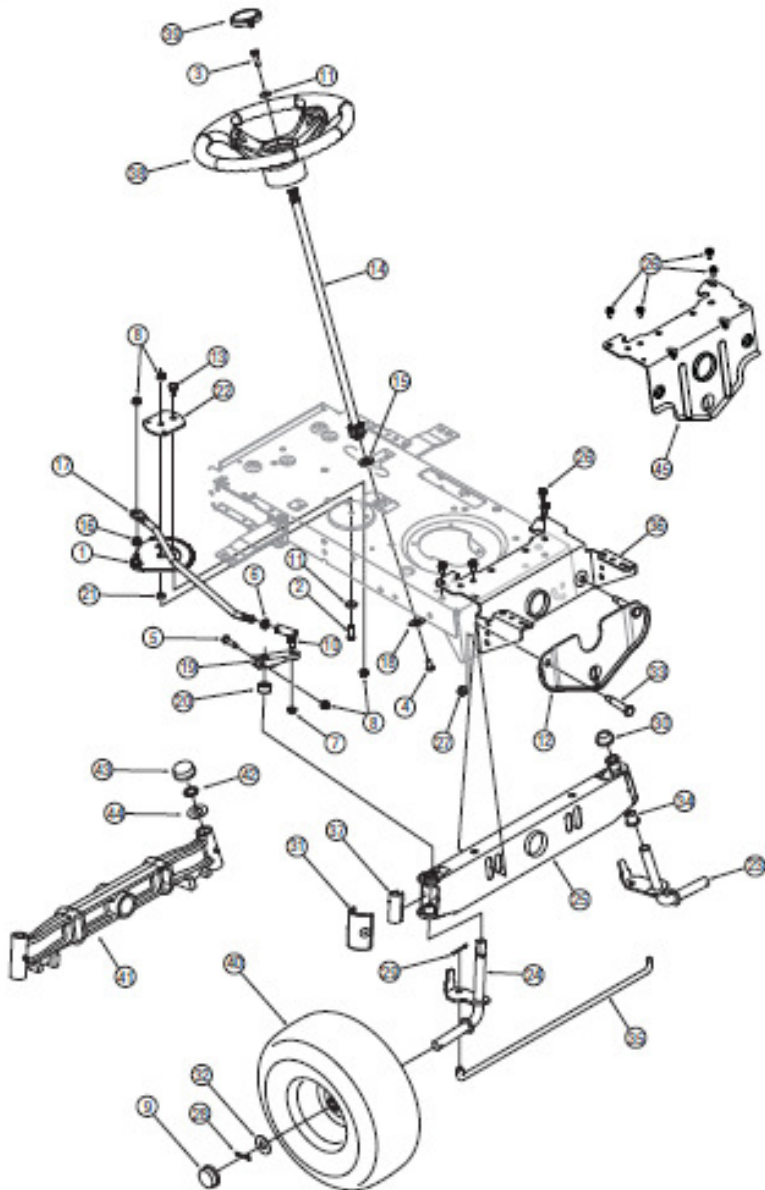
CREATIVE EQUIPMENT CC

18 Main Road, Fishers Hill, Germiston, 1401
Tel: 011 828 5085 Fax: 011-828-5085
crequip@global.co.za www.creativelp.co.za



ILLUSTRATED PARTS LIST

MODEL MTD135 OUTPUT 13,5hp
PRODUCT RIDE-ON LAWNMOWER



**CREATIVE EQUIPMENT CC**

18 Main Road, Fishers Hill, Germiston, 1401
 Tel: 011 828 5085 Fax: 011-828-5085
 crequip@global.co.za www.creativelp.co.za

**ILLUSTRATED PARTS LIST**

MODEL MTD135 OUTPUT 13,5hp
 PRODUCT RIDE-ON LAWNMOWER

REF #	PART #	DESCRIPTION
1	MTD617-04024	GEAR ASSEMBLY, STEERING
2	MTD710-0376	SCREW, 5/16-18, 1.00, Gr5
3	MTD710-0643	SCREW, 5/16-18, 1.00, Gr5, LOCK
4	MTD710-1309	SCREW, MACH, 5/16-18, 0.750
5	MTD710-3180	SCREW, 5/16-18, 1.75, Gr5
6	MTD712-0240	NUT, JAM, 7/16-20, Gr2
7	MTD712-0262	NUT, JAM LOCK, 3/8-24, Gr2
8	MTD712-04063	NUT, FLANGE LOCK, 5/16-18, Gr1
9	MTD731-0484A	HUB CAP
10	MTD723-0448A	BALL JOINT, 7/16-20, LOCK
11	MTD736-0242	WASHER, BELL, .340 x .872 x .060
12	MTD783-04568	FRONT HANGER BRACKET, DECK
13	MTD738-04141	SCR., SHLDER, .435 x .3485, 5/16-18
14	MTD738-0919	STEERING SHAFT, 5/8 SPLINE x 21.86
15	MTD741-04124	BEARING, FLANGE, HEX 5/8
16	MTD741-0475	PLASTIC BUSHING .380 ID
17	MTD747-04298	DRAG LINK, STEERING
18	MTD748-0389	CAP, 1.25 x .16
19	MTD748-04065	STEERING BLOCK
20	MTD748-04068	SPACER, .710 ID x .125 OD x .56
21	MTD750-04418	SPACER, .322 ID x .625 OD x .21
22	MTD783-04644	STABILIZER PLATE, GEAR SEGMENT
23	MTD638-04007	AXLE ASSY LH (38" & 42" DECK)
	MTD638-04013	AXLE ASSY LH (46" DECK)
24	MTD638-04008	AXLE ASSY, RH (38" & 42" DECK)
	MTD638-04014	AXLE ASSY, RH (46" DECK)
25	MTD683-0128B	PIVOT BAR
	MTD710-0604A	SCREW, 5/16-18, 0.625

REF #	PART #	DESCRIPTION
27	MTD712-04065	NUT, FLANGE LOCK, 3/8-16, GrF
28	MTD714-04039	Pin, cotter, 5/32, 1.25
29	MTD714-0474	PIN, COTTER, 1/8 x 0.75
30	MTD729-0341	PUSH CAP, 3/4
31	MTD731-04057A	END CAP, PIVOT BAR (Standard)
	MTD731-1291A	END CAP, PIVOT BAR (w/Fitting)
32	MTD736-04228	WASHER, FLAT, .781 X 1.59
33	MTD738-04128	SCR., SHLDER, .500 x 2.380, 3/8-16
34	MTD741-0660A	BEARING, FLANGE, .760 x .941 x 1.0
35	MTD747-04299A	TIE ROD
36	MTD783-04601B	BRACKET, PIVOT
37	MTD731-04057A	AXLE END CAP, STANDARD
38	MTD631-04028	STEERING WHEEL, STANDARD GRIP
	MTD631-04008	STEERING WHEEL, SOFT GRIP
39	MTD731-04039	CAP, STEERING WHEEL (no logo)
	MTD731-04040	CAP, STEERING WHEEL (sprig logo)
	MTD731-04681	CAP, STEERING WHEEL (line logo)
40	MTD634-04325	WHEEL ASSY, ROUND SHOULDER
	MTD734-0420A	TIRE ONLY, 15 x 6 x 6, ROUND SHLD.
	MTD634-04086	WHEEL ASSY, SQUARE SHOULDER
	MTD734-1731	TIRE ONLY, 15 x 6 x 6, SQUARE SHLD.
	MTD634-04081	RIM ASSEMBLY (INCL. BEARINGS AND VALVE STEM)
41	MTD719-04105	PIVOT BAR, CAST
42	MTD726-04035	PUSH NUT 3/8 DIA
43	MTD731-04693	PUSH CAP
44	MTD736-0316	WASHER, FLAT, .78 x 1.59 x .60
45	MTD783-05326	PIVOT BAR BRACKET, T-STYLE HOOD



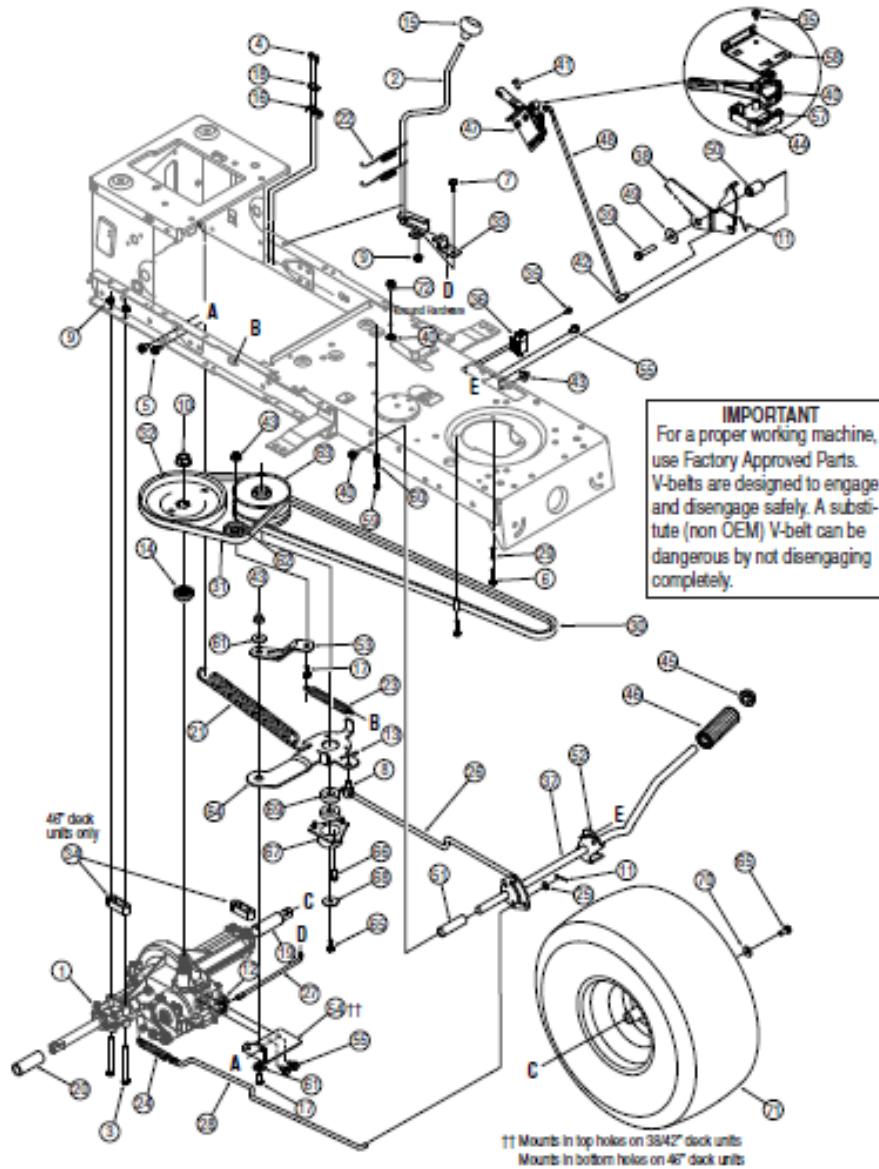
CREATIVE EQUIPMENT CC

18 Main Road, Fishers Hill, Germiston, 1401
Tel: 011 828 5085 Fax: 011-828-5085
crequip@global.co.za www.creativelp.co.za



ILLUSTRATED PARTS LIST

MODEL	MTD135	OUTPUT	13,5hp
PRODUCT	RIDE-ON LAWNMOWER		



IMPORTANT
For a proper working machine,
use Factory Approved Parts.
V-belts are designed to engage
and disengage safely. A substitute
(non OEM) V-belt can be
dangerous by not disengaging
completely.

11 Mounts in top holes on 38 1/2" deck units
Mounts in bottom holes on 48" deck units

**CREATIVE EQUIPMENT CC**

18 Main Road, Fishers Hill, Germiston, 1401
 Tel: 011 828 5085 Fax: 011-828-5085
 crequip@global.co.za www.creativelp.co.za

**ILLUSTRATED PARTS LIST**

MODEL MTD135 OUTPUT 13,5hp
 PRODUCT RIDE-ON LAWNMOWER

REF #	PART #	DESCRIPTION
1	MTD618-04034	TRANSMISSION ASSY
2	MTD647-04035	LEVER ASSY, SHIFT
3	MTD710-0176	SCREW, 5/16-18, 2.75 (38/42" DK.)
	MTD710-1266	SCREW, 5/16-18, 3.50 (46" DECK)
4	MTD710-0227	SCREW, #8-18, 0.500
5	MTD710-0726	SCREW, 5/16-12, 0.750
6	MTD710-0809	SCREW, ¼-20, 1.250
7	MTD710-3008	SCREW, 5/16-18, .75, Gr5
8	MTD711-04075A	FERRULE, 3/8-24 x .375 DIA.
9	MTD712-04063	NUT, FLANGE LOCK, 5/16-18, GrF
10	MTD712-0700	NUT, FLANGE, 9/16-18, Gr2
11	MTD714-0111	PIN, COTTER, 3/32, 1.0
12	MTD714-0209	COTTER PIN, INTERNAL .125 DIA
13	MTD714-0470	PIN, COTTER, 1/8 x 1.25
14	MTD718-0758A	HUB, PULLEY, 5/8 SPLINE
15	MTD720-04028	KNOB, SHIFT
16	MTD725-1644	SPRING SWITCH, SHORT
17	MTD710-0520	SCREW, 3/8-16 X 1.50
18	MTD726-0320	PLATE, INSULATOR NUT
19	MTD731-04602	SLEEVE, .758 x .821 x 3.3125
20	MTD731-04604	SLEEVE, .758 x .821 x 2.4375

REF #	PART #	DESCRIPTION
21	MTD732-04076A	SPRING, EXTENSION, 1.15 OD x 7.90
22	MTD732-04276A	SPRING, EXTENSION
23	MTD732-04306	SPRING, EXTENSION, .80 OD x 3.28
24	MTD732-0716C	SPRING, EXTENSION, .59 OD x 4.00
25	MTD736-0264	WASHER, FLAT, .330 x .630 x .0635
26	MTD747-04265	CONTROL ROD VAR. SPD. (38/42" DK)
	MTD747-04568	CONTROL ROD, VAR. SPD. (46" DECK)
27	MTD747-04277	ROD, SHIFT
28	MTD747-04287	ROD, BRAKE
29	MTD750-0566A	SPACER, .260 x .372 x 1.030
30	MTD754-04001A	BELT
31	MTD754-0241A	BELT
32	MTD756-04002	PULLEY, V-TYPE, 7.25 DIA
33	MTD783-04595	SHIFT BRACKET, ADJUSTABLE
34	MTD748-0334	SPACER .68
35	MTD738-04237	SCREW, #10-16, 0.500
36	MTD725-04363	SWITCH, INTERLOCK
37	MTD647-0403C	PEDEL ASSY, DRIVE
38	MTD783-04862	LATCH BRACKET (RMC*)
	MTD783-04903	LATCH BRACKET (No RMC)
*	REVERSE CAUTION MODE	

**CREATIVE EQUIPMENT CC**

18 Main Road, Fishers Hill, Germiston, 1401
 Tel: 011 828 5085 Fax: 011-828-5085
 crequip@global.co.za www.creativelp.co.za

**ILLUSTRATED PARTS LIST**

MODEL MTD135 OUTPUT 13,5hp
 PRODUCT RIDE-ON LAWNMOWER

REF #	PART #	DESCRIPTION
39	MTD710-3144	SCREW, 3/8-16, 2.00, Gr5
40	MTD736-0222	LEVER ASSY, SHIFT
41	MTD710-04483	SCREW, ¼-20, 0.500
42	MTD711-0736	ADJUSTMENT FERRULE ¼-20
43	MTD712-04065	NUT, FLANGE LOCK, 3/8-16, GrF
44	MTD731-05361	CONTROL COVER
45	MTD726-0214	PUSH CAP, 5/8
46	MTD735-0239	PAD, FOOT, 4.0
47	MTD683-04225	SHIFT CONT. ASSY, 6-SPD
	MTD683-04216	SHIFT CONT, ASSY, 7-SPD
	MTD683-04274	SHIFT CONT, ASSY, 7-SPD TB
48	MTD747-04430	CONTROL ROD, SPEED SELECTOR
49	MTD736-0247	WASHER, FLAT, .406 x 1.25 x .157
50	MTD750-04465	SPACER, FLGE, .390 x .671 x 1.095
51	MTD750-0802	SPACER, .640 ID x .76 OD x 2.63
52	MTD783-04536	SUPPORT BRACKET, PEDAL
53	MTD683-04207	BRACKET, IDLER
54	MTD683-04176A	TORQUE BRACKET, TRANSMISSION
55	MTD710-0604A	SCREW, 5/16-18, 0.625
56	MTD710-0520	SCREW, 3/8-16, 1.25, Gr5
57	MTD732-0627	SHOFT LEVER SPRING

REF #	PART #	DESCRIPTION
58	MTD783-04830	CONTROL BRACKET
59	MTD710-1325	SCREW, ¼-20 x 1.625
60	MTD750-04456	SPACER, .260 x .372 x 1.420
61	MTD738-0347	SPACER, SHOULDER, .625 ID x .169
62	MTD756-04213	PULLEY, FLAT IDLER
63	MTD656-04015	PULLEY ASSY, VARIABLE SPEED
64	MTD683-04206	BRACKET ASSY, VARIABLE SPEED
65	MTD710-0627	SCREW, 5/16-24, .750, Gr5
66	MTD710-0778	SCREW, ¼-20, 1.50
67	MTD718-04261	CUP, BEARING
68	MTD736-0362	WASHER, FLAT, .330 x 1.25 x .06
69	MTD741-0124	BEARING, BALL, 17 x 40 x 12
70	MTD736-0242	BELL WASHER, .34 x .872 x .060
71	MTD634-04324	WHEEL ASSY, ROUND SHOULDER
	MTD734-04241	TIRE ONLY, 20 x 8 x 8, ROUND SHLD
	MTD634-0070	RIM ASSY. (Inc. bearings, valve stem)
	MTD634-0104	WHEEL ASSY, SQUARE SHOULDER
	MTD734-1730	TIRE ONLY, 20 x 8 x 8, SQUARE SHLD
	MTD734-0603A	RIM ASSY. (Inc. bearings, valve stem)
72	MTD710-0599	SCREW, ¼-20 x .500



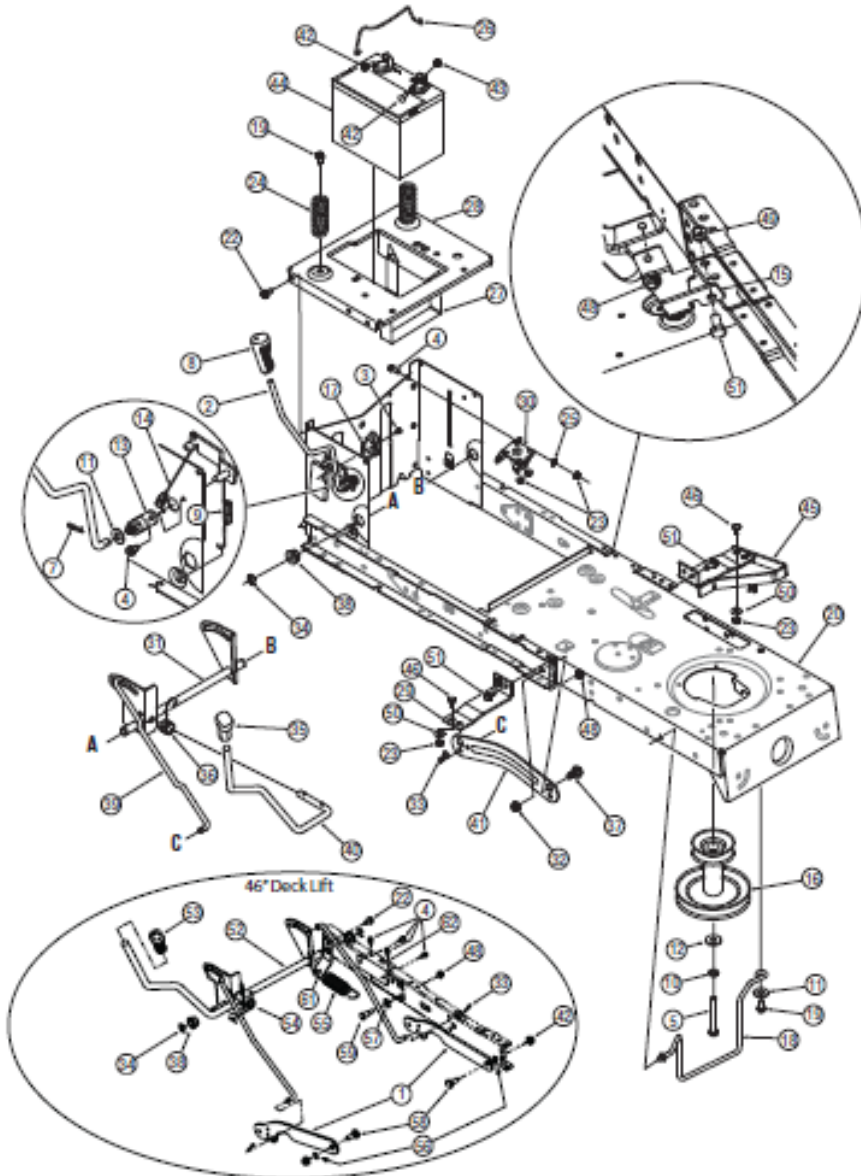
CREATIVE EQUIPMENT CC

18 Main Road, Fishers Hill, Germiston, 1401
Tel: 011 828 5085 Fax: 011-828-5085
crequip@global.co.za www.creativelp.co.za



ILLUSTRATED PARTS LIST

MODEL	MTD135	OUTPUT	13,5hp
PRODUCT	RIDE-ON LAWNMOWER		



**CREATIVE EQUIPMENT CC**

18 Main Road, Fishers Hill, Germiston, 1401
 Tel: 011 828 5085 Fax: 011-828-5085
 crequip@global.co.za www.creativelp.co.za

**ILLUSTRATED PARTS LIST**

MODEL MTD135 OUTPUT 13,5hp
 PRODUCT RIDE-ON LAWNMOWER

REF #	PART #	DESCRIPTION
1	MTD783-0678C	DECK LIFT LINK
2	MTD647-04096	HANDLE ASSY, PTO
3	MTD738-04237	SHOULDER SCREW, #10-16, 0.500
4	MTD710-0599	SCREW, ¼-20, 0.500
5	MTD710-3157A	SCREW, 7/16-20, 3.25 38 & 42" DK.
	MTD710-04607	SCREW, 7/16-20, 2.75 46" DECK
7	MTD714-0145	PIN, CLICK, .092 x 1.64
8	MTD720-04049	GRIP, HANDLE, 3/8
9	MTD732-04276A	SPRING, EXTENSION
10	MTD736-0171	WASHER, LOCK, 7/16
11	MTD736-0300	WASHER, FLAT, .406 x .875 x .059
12	MTD736-0322	WASHER, FLAT, .450 x 1.250 x .164
13	MTD741-04119	BEARING, PTO
14	MTD746-04173B	CABLE, DECK ENGAGEMENT
15	MTD783-04753	FRAME SUPPORT BRACKET
16	MTD756-04196	ENGINE PULLEY, 38" & 42" DECK
	MTD756-04207	ENGINE PULLEY, 46" DECK
17	MTD725-04363	SWITCH, INTERLOCK
18	MTD747-04332A	ROD, BELT KEEPER (38" DECK)
	MTD747-04307	ROD, BELT KEEPER (42/46" DECK)
19	MTD710-1260A	SCREW, 5/16-18, .750
20	MTD683-04163B	FRAME ASSEMBLY
21	MTD710-0642	SCREW, 1/4-20
22	MTD710-0604A	SCREW, 5/16-18, 0.625
23	MTD712-04064	NUT, FLANGE LOCK, ¼-20, GrF
24	MTD732-04035	SPRING, COMPR., 1.28 OD x 3.125
25	MTD736-0222	WASHER, LOCK, 1/4
26	MTD747-04385	HOLD DOWN ROD, BATTERY
27	MTD783-04869	BRACKET, BATTERY
28	MTD783-04548A	SEAT BRACKET, FRAME
29	MTD783-04637	BRACKET, RUNING BOARD
30	MTD725-04439	SOLENOID
31	MTD683-04155A	SHAFT ASSY LIFT 38/42" DECKS
32	MTD712-04065	NUT, FLANGE LOCK, 3/8-16, GrF

REF #	PART #	DESCRIPTION
33	MTD714-04043	PIN, COTTER .08 x 1.56 INTERN. RH
	MTD714-0470	PIN, COTTER .080 x 1.25 INTERN. LH
34	MTD716-0106A	RING, E-TYPE, .625 DIA.
35	MTD720-0311	GRIP, HANDLE, 1/2
36	MTD732-04225	SPRING, TORSION 38/42" DECKS
37	MTD738-04130	SCREW, SHLDR., .625 x .175, 3/8-16
38	MTD741-0225	BEARING, HEX FLANGE
39	MTD747-04393	ROD, LIFT
40	MTD747-04282	DECK HANDLE, LIFT, 38/43" DECKS
41	MTD783-04494	LIFT ARM, DECK - RH
	MTD783-04711	LIFT ARM, DECK - LH
42	MTD710-04466	SCREW, CARRIAGE, ¼-20, .75, Gr5
43	MTD712-0271	NUT, SEMS, ¼-20
44	MTD725-1737A	BATTERY, 190 CCA
	MTD725-1704A	BATTERY, 125 CCA
45	MTD683-04195	SUPPORT BRACKET ASSY
46	MTD710-0134	CARRIAGE SCREW, ¼-20 x .62
47	MTD710-3025	SCREW, 5/16-18 x .625
48	MTD712-04063	FLANGE LOCK NUT, 5/16-18
49	MTD712-0429	HEX LOCK NUT, 5/16-18
50	MTD736-0173	FLAT WASHER, .28 x .74 x .063
51	MTD710-3008	HEX SCREW, 5/16-18 x .75
52	MTD683-04334	SHAFT ASSEMBLY LIFT 46" DECKS
53	MTD720-0298	GRIP, HANDLE, 5/8
54	MTD732-04438	SPRING, TORSION 46" DECK
55	MTD732-0934	EXTENSION SPRING
56	MTD736-0140	WASHER, FLAT, .385 x .62 x .063
57	MTD736-0226	WASHER, FLAT, .474 x .879 x .064
58	MTD738-0380	BOLT, SHLDR. .500 x .270 3/8-16
59	MTD738-0754	SCREW, SHLDR., .437 x .54
60	MTD747-04653	DECK HANDLE, LIFT, 46" DECK
61	MTD783-04462	LIFT BRACKET
62	MTD783-05389	FRAME BRACE BRACKET



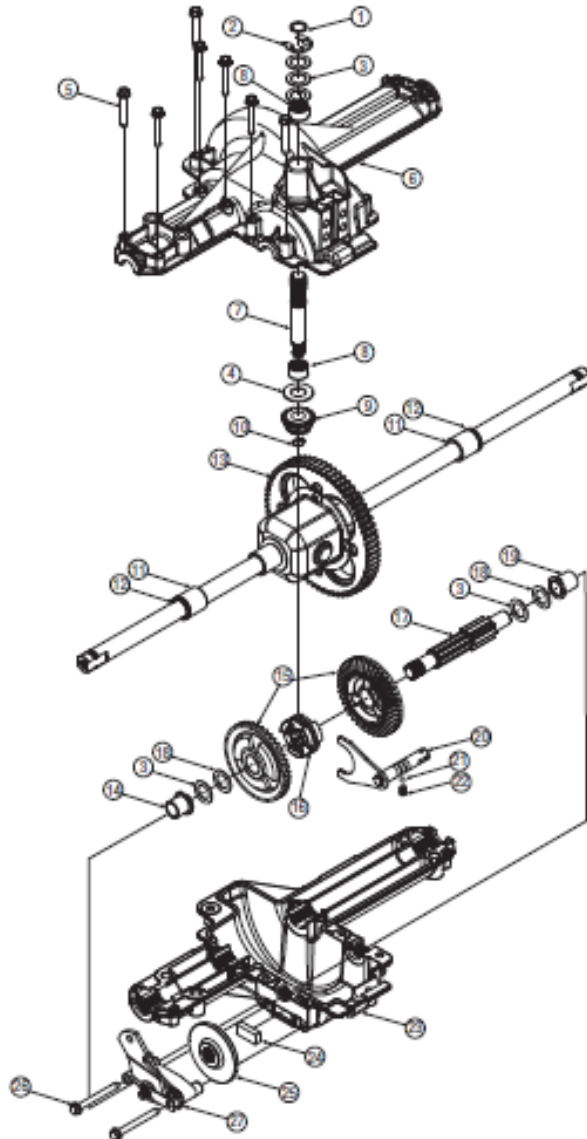
CREATIVE EQUIPMENT CC

18 Main Road, Fishers Hill, Germiston, 1401
Tel: 011 828 5085 Fax: 011-828-5085
crequip@global.co.za www.creativep.co.za



ILLUSTRATED PARTS LIST

MODEL	MTD135	OUTPUT	13,5hp
PRODUCT	RIDE-ON LAWNMOWER		



**CREATIVE EQUIPMENT CC**

18 Main Road, Fishers Hill, Germiston, 1401
 Tel: 011 828 5085 Fax: 011-828-5085
 crequip@global.co.za www.creativelp.co.za

**ILLUSTRATED PARTS LIST**

MODEL MTD135 OUTPUT 13,5hp
 PRODUCT RIDE-ON LAWNMOWER

REF #	PART #	DESCRIPTION
1	MTD732-0614	RING, WIRE
2	MTD716-0231	RING, E TYPE, .750
3	MTD736-0336*	FLAT WASHER, 5/8 x 1.0 x .030
	MTD736-0337*	FLAT WASHER, 5/8 x 1.0 x .040
	MTD736-0349*	FLAT WASHER, 5/8 x 1.0 x .020
4	MTD736-0335	WASHER, THRUST.635 x 1.26 x .06
5	MTD710-1325	SELF-TAPPING SCREW, ¼-20 x 1.625
6	MTD719-04017	UPPER HOUSING
7	MTD711-1109	INPUT SHAFT
8	MTD741-0335	NEEDLE BEARING, .625 x .813 x .495
9	MTD717-1464	14-TOOTH BEVEL PINION
10	MTD716-0108	RETAINING RING, .437
11	MTD741-0340	SLEEVE BEARING, .75 x 1.0 X 1.0
12	MTD721-0338	SEAL, .75 x 1.0 x .125
13	MTD618-04041A	DIFFERENTIAL ASSY
14	MTD741-0336	FLANGE BEARING, 5/8 x 3/4 x 3/4
15	MTD717-04056	42-TOOTH BEVEL GEAR

REF #	PART #	DESCRIPTION
16	MTD718-04045	CLUTCH COLLAR
17	MTD711-04134	DRIVE SHAFT
18	MTD736-0495*	THRUST WASHER, 1.0 x .632 x .0
	MTD736-0494*	FLAT WASHER, .632 x 1.00 x .035
19	MTD741-0337	FLANGE BEARING, 5/8 x ¾ x 15/16
20	MTD611-0011	DETENT SHAFT ASSY
21	MTD741-0862	DETENT BALL
22	MTD732-0863	COMPRESSION SPRING
23	MTD719-04018	LOWER HOUSING
24	MTD717-0678	BRAKE PUCK
25	MTD761-0202	BRAKE DISC
26	MTD710-1206	SELF-TAPPING SCREW, ¼-20 x 2.375
27	MTD661-0001	BRAKE ASSY
--	MTD737-0148	GREASE (19 oz.)

*Use applicable flat washer (ref. #'s 3 of 18) in this application allowing .0150/.0020 in, end-play

NOTE: If rebuilding the upper housing, include two ounces (2 oz.) of Unirex® N3 grease (Part No. 737-0289) in the input shaft cavity.



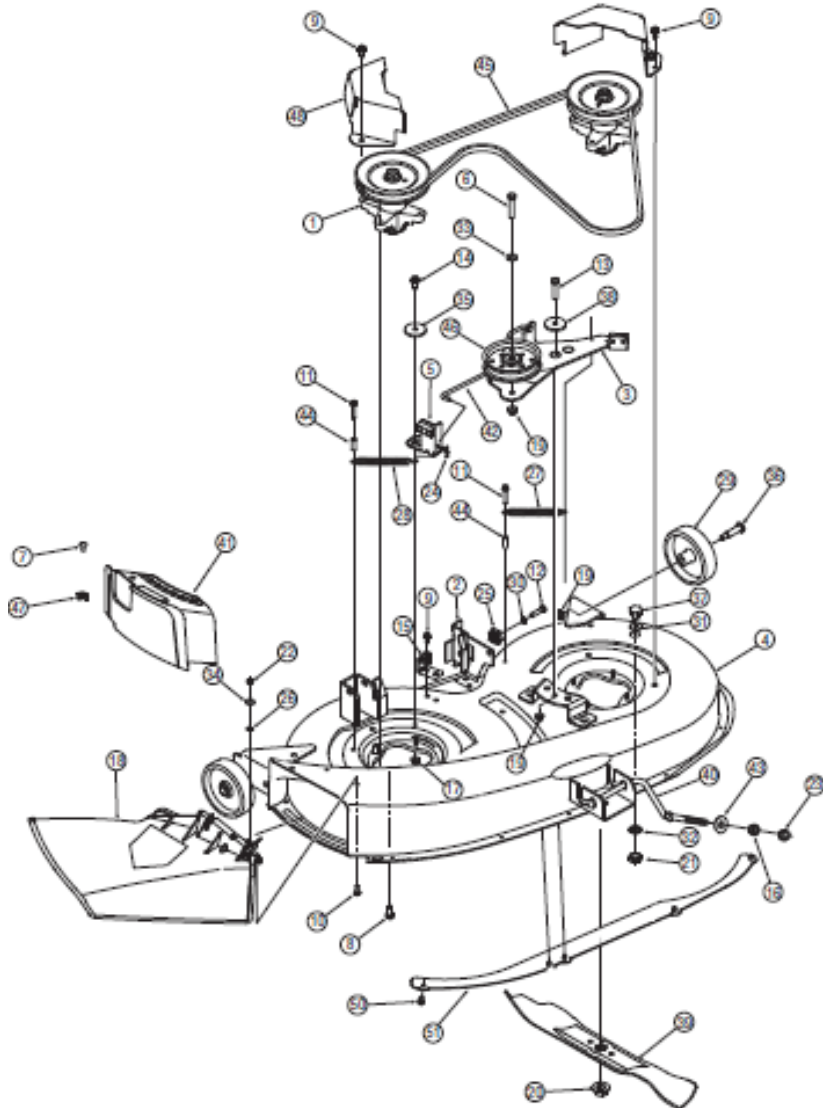
CREATIVE EQUIPMENT CC

18 Main Road, Fishers Hill, Germiston, 1401
Tel: 011 828 5085 Fax: 011-828-5085
crequip@global.co.za www.creativelp.co.za



ILLUSTRATED PARTS LIST

MODEL	MTD135	OUTPUT	13,5hp
PRODUCT	RIDE-ON LAWNMOWER		



**CREATIVE EQUIPMENT CC**

18 Main Road, Fishers Hill, Germiston, 1401
 Tel: 011 828 5085 Fax: 011-828-5085
 crequip@global.co.za www.creativelp.co.za

**ILLUSTRATED PARTS LIST**

MODEL MTD135 OUTPUT 13,5hp
 PRODUCT RIDE-ON LAWNMOWER

REF #	PART #	DESCRIPTION
1	MTD618-04474	SPINDLE ASSY, PUL, 5.75" DIA
2	MTD683-04228	BRKT. ASSY, DECK, HANGER LH
3	MTD683-04138B	BRAKE ASSY, DECK
4	MTD683-04263	DECK SHELL, 38" (W/O WHEEL BRKT)
	MTD683-04161	DECK SHELL, 38" (W/ WHEEL BRKT)
5	MTD683-04167	BRAKE ASSY, DECK
6	MTD710-0347	SCREW, 3/8-16, 1.75, Gr5
7	MTD710-0134†	CARRIAGE SCREW, ¼-20 x .62
8	MTD710-1260A	SCREW, 5/16-18, 0.75
9	MTD710-0604A	SCREW, 5/16-18, 0.625
10	MTD710-3015	SCREW, ¼-20, .75, Gr5
11	MTD710-0778	SCREW, ¼-20, 1.500
12	MTD710-02528	SCREW, 5/16-18, 1.250
13	MTD710-3005	SCREW, 3/8-16, 1.25, Gr5
14	MTD710-3008	SCREW, 5/16-18, .75, Gr5
15	MTD783-04740	DECK ENGAGEMENT CABLE BRACKET
16	MTD712-0206	NUT, HEX, ½-13, Gr5
17	MTD712-04063	NUT, FLANGE LOCK, 5/16-18, GrF
18	MTD731-1032B	CHUTE ASSY, DISCHARGE
19	MTD712-04065	NUT, FLANGE LOCK, 3/8-16, GrF
20	MTD712-0417A	NUT, FLANGE, 5/8-18
21	MTD712-0641	NUT, HEX, M16-1.5
22	MTD712-3006	NUT, HEX, ¼-20, Gr5
23	MTD712-3083	NUT, HEX LOCK, ½-13, Gr8, NYLON
24	MTD714-0104	PIN, COT, .072 DIA. x 1.13 LG
25	MTD717-04074	GEAR, DECK ADJUSTMENT

REF #	PART #	DESCRIPTION
26	MTD726-0233	NUT, PUSH, .25 ID x .50 OD
27	MTD732-0420B	SPRING, EXTEN., .75 DIA. x 6.375
28	MTD732-04287	SPRING, EXTEN., .50 DIA. x 6.375
29	MTD734-0973†	WHEEL, DECK 5.0 x 1.38
30	MTD736-0119	WASHER, LOCK, 5/16
31	MTD736-0187	WASHER, FLAT, .64 x 1.24 x .06
32	MTD736-0225	WASHER, LOCK, 5/8, INTERNAL TOOTH
33	MTD736-0300	WASHER, FLAT, .406 x .875 x .059
34	MTD736-0270	WASHER, BELL, .265 x .75 x .062
35	MTD738-04166	SPACER, SHOULDER, .5000 x .1475
36	MTD738-0373†	SCREW, SHLDR, .498 x 1.53, 3/8-16
37	MTD738-04146	PLUG, SCREW, M16 x 1.5
38	MTD738-04162A	SPACER, SHOULDER, .8840 x .190
39	MTD742-0610A	BLADE, 19.38", STAR 3-in-1
40	MTD747-04322	DECK ROD, FRONT ADJUSTABLE
41	MTD731-2363†	MULCH PLUG
42	MTD747-04381	CONTROL ROD, BRAKE
43	MTD748-04069	PIVOT CUP, DECK LIFT
44	MTD750-0566A	SPACER, .260 x .372 x 1.030
45	MTD754-04062	BELT, V-TYPE
46	MTD756-04129	IDLER PULLEY, 4.25" DIA.
47	MTD712-3087†	WING NUT, ¼-20
48	MTD783-04602A	COVER, BELT, 5.66 DIA.
50	MTD710-0599†	SCREW, ¼-20, .500
51	MTD783-1297†	38" DECK SKIRT
†	If equipped	

IMPORTANT: For a proper working machine, use Factory Approved Parts.
V-belts are designed to engage and disengage safely. A substitute (non OEM) V-belt can be dangerous by not disengaging completely.

NOTE: Tractor features vary by model. NOT all parts listed above and Pictured on the previous page are standard equipment.



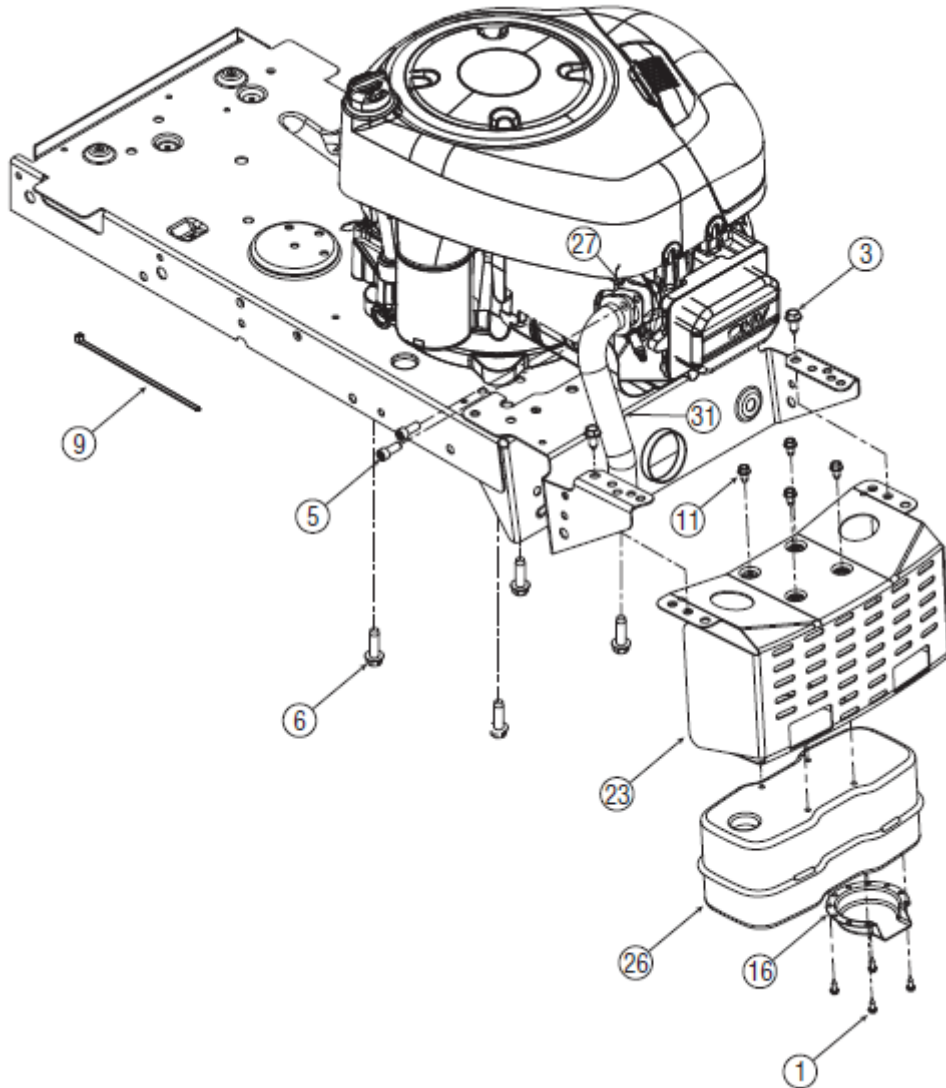
CREATIVE EQUIPMENT CC

18 Main Road, Fishers Hill, Germiston, 1401
Tel: 011 828 5085 Fax: 011-828-5085
crequip@global.co.za www.creativelp.co.za



ILLUSTRATED PARTS LIST

MODEL MTD135 OUTPUT 13,5hp
PRODUCT RIDE-ON LAWNMOWER



1	MTD710-0227	SCREW, #8-18 x .50
3	MTD710-0604A	SELF-TAPPING SCREW, 5/16-18, .625
4	MTD710-1237	SCREW, #10-32, .625
5	MTD710-1314A	SOCKET CAP SCREW, 5/16-18, .625
6	MTD710-1315	SELF-TAPPING SCREW, 3/8-16, 1.25
9	MTD725-0157	CABLE TIE, 7.4"
10	MTD726-0205	HOSE CLAMP, .490
11	MTD710-0599	SCREW, ¼-20, 0.500
14	MTD751B221535	CASING CLAMP
15	MTD751-10349	FUEL LINE HOSE
16	MTD751-0564B	MUFFLER DEFLECTOR
23	MTD783-0615D	MUFFLER HEAT SHIELD
25	MTD731-05628	OIL DRAIN SLEEVE
26	MTD751-0617B	MUFFLER, SINGLE INLET
27	MTD721-0208	EXHAUST GASKET
31	MTD751-0619A	EXHAUST PIPE
36	MTD712-0271	HEX SEMS NUT, ¼-20

Tractor model with Briggs & Stratton OHV single-cylinder Engine

