



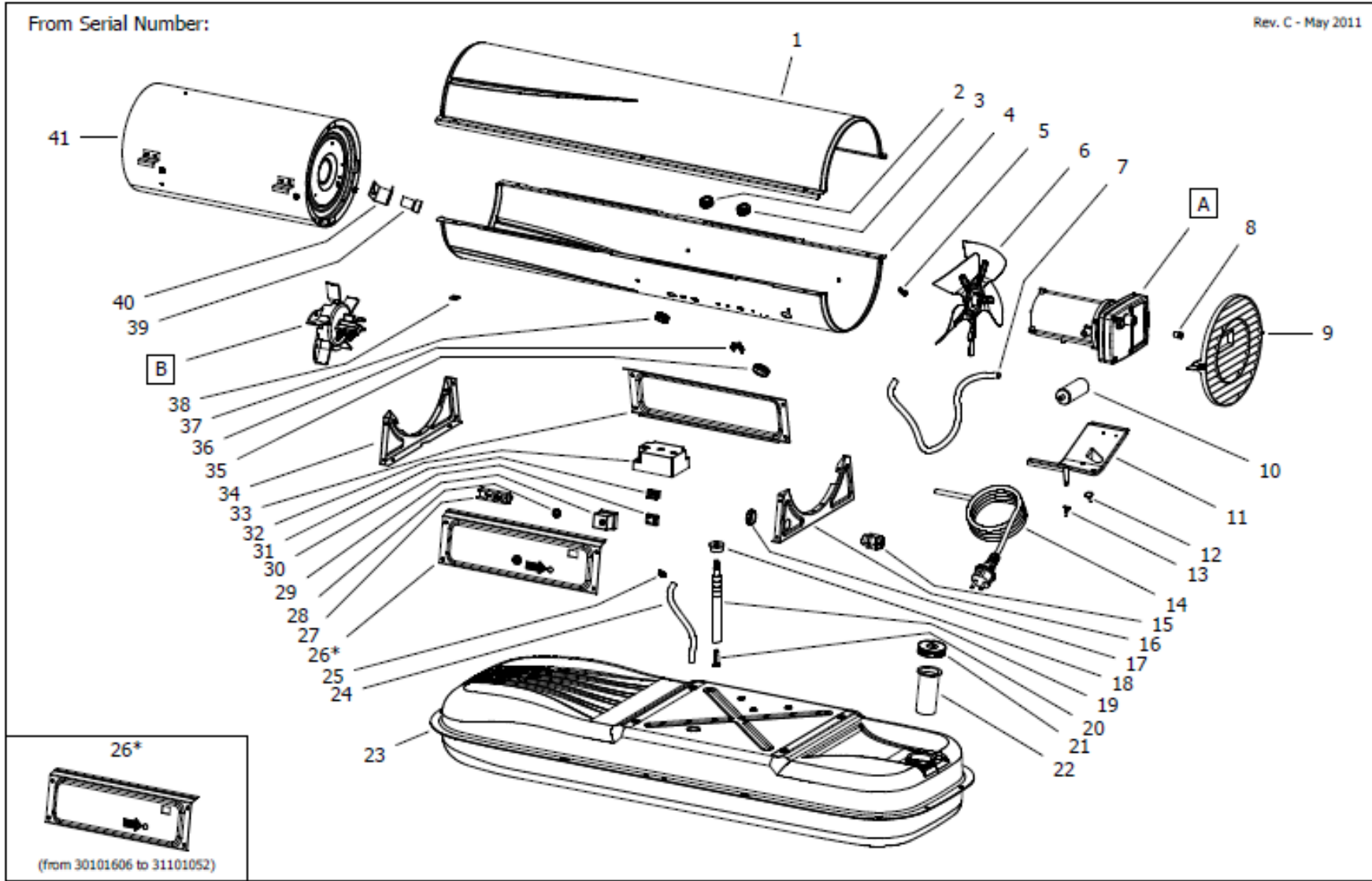
CREATIVE EQUIPMENT CC

18 Main Road, Fishers Hill, Germiston, 1401
Tel: 011 828 5085 Fax: 011-828-5085
sales@crequip.co.za www.talontools.co.za



ILLUSTRATED PARTS LIST

MODEL B100
PRODUCT DIRECT FIRED HEATER





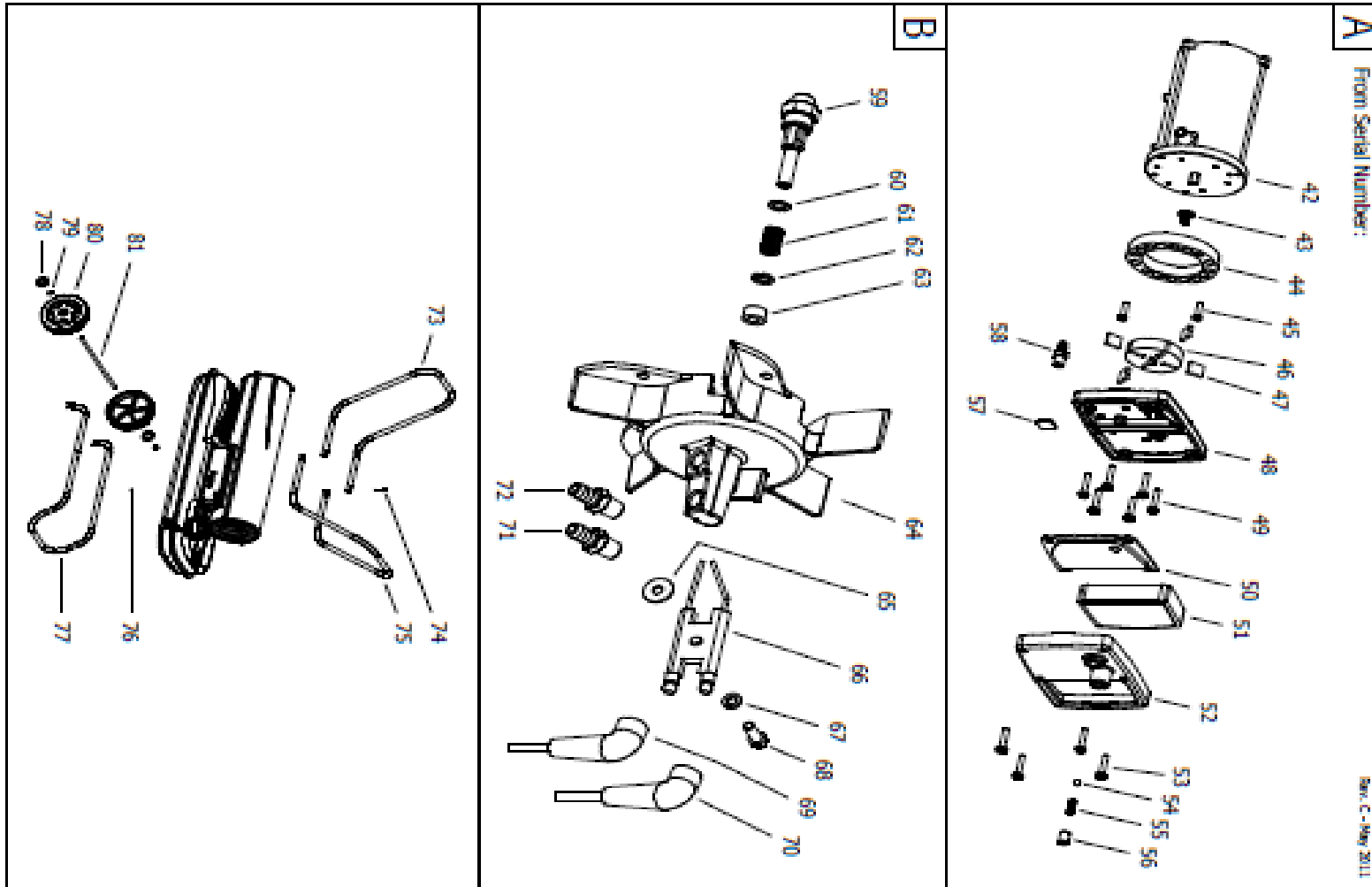
CREATIVE EQUIPMENT CC

18 Main Road, Fishers Hill, Germiston, 1401
Tel: 011 828 5085 Fax: 011-828-5085
sales@crequip.co.za www.talontools.co.za



ILLUSTRATED PARTS LIST

MODEL B100
PRODUCT DIRECT FIRED HEATER



**CREATIVE EQUIPMENT CC**

18 Main Road, Fishers Hill, Germiston, 1401
 Tel: 011 828 5085 Fax: 011-828-5085
sales@crequip.co.za www.talontools.co.za

**ILLUSTRATED PARTS LIST**

MODEL B100
 PRODUCT DIRECT FIRED HEATER

#	PART #	DESCRIPTION	
1	S/R	UPPER SHELL	SPECIAL REQUEST
2	4104.151	GROMMET	
3	4101.151	GROMMET	
4	S/R	LOWER SHELL	SPECIAL REQUEST
5	4110.159	CLAMP	
6	4110.415	FAN	
7	4104.147	AIR LINE	
8	4102.125	PRESSURE GAUGE CAP	
9	4103.695	FAN GUARD	
10	4110.294	CAPACITOR	
11	4110.186	MOTOR BRACKET	
12	4150.553	BUMPER	
13	4150.553	BUMPER	
14	4110.451	POWER CORD	
15	4150.528	STRAIN RELIEF	
16	4110.353	REAR FRAME BRACKET	
17	4110.656	LOCKNUT	
18	4100.541	RUBBER BUSHING	
19	4110.355	FUEL LINE	
20	4110.356	FUEL FILTER	

#	PART #	DESCRIPTION	
21	4103.891	FUEL TANK CAP	
22	4105.292	FUEL TANK FILTER	
23	4110.345	FUEL TANK	
24	4110.032	FUEL LINE	
25	4110.159	CLAMP	
26	4111.819	LEFT PANEL	
26*	4110.417	LEFT PANEL	
27	4106.110	TERMINAL BOARD	
28	4109.592	NUT	
29	4104.196	FLAME-OUT CONTROL	
30	4104.336	COVER SWITCH	
31	4106.179	ON/OFF SWITCH	
32	4111.833	ELECTRONIC IGNITOR	
33	4110.379	RIGHT PANEL	
34	4110.354	FORE FRAME BRACKET	
35	4160.646	GROMMET	
36	4160.639	RIVET POP	
37	4101.151	GROMMET	
38	4104.170	CLIP NUT	
39	4110.364	PHOTOCELL ASSEMBLY	

**CREATIVE EQUIPMENT CC**

18 Main Road, Fishers Hill, Germiston, 1401
 Tel: 011 828 5085 Fax: 011-828-5085
sales@crequip.co.za www.talontools.co.za

**ILLUSTRATED PARTS LIST**

MODEL B100
 PRODUCT DIRECT FIRED HEATER

#	PART #	DESCRIPTION	
40	4100.658	PHOTOCELL BRACKET	
41	4110.568	COMBUSTION CHAMBER	
42	4110.452	MOTOR ¼ HP	
43	4108.635	INSERT	
44	4110.068	PUMP BODY	
45	4110.302	PUMP BODY SCREW	
46	4108.627	ROTOR	
47	4101.200	BLADE	
48	4110.407	PUMP END COVER	
49	4108.528	SCREW/LOCKWASHER	
50	4101.341	OUTPUT FILTER	
51	4101.358	INTAKE FILTER	
52	4108.643	END COVER	
53	4108.528	SCREW/LOCKWASHER	
54	4108.379	STEEL BALL	
55	4102.141	PRESSURE RELIEF SPRING	
56	4102.133	ADJUSTING SCREW	
57	4101.333	LINT FILTER	
58	4104.118	BARB FITTING	
59	4103.559	NOZZLE	
60	4100.525	WASHER	

#	PART #	DESCRIPTION	
61	4100.533	NOZZLE SEAL SPRING	
62	4100.525	WASHER	
63	4101.622	NOZZLE SEAL SLEEVE	
64	4110.361	BURNER HEAD BODY	
65	4110.394	FIBER WASHER	
66	4110.337	ELECTRODE	
67	4110.393	WASHER	
68	4110.363	SCREW	
69	4111.831	ELECTRODE CABLE	
70	4111.831	ELECTRODE CABLE	
71	4104.118	BARB FITTING	
72	4104.118	BARB FITTING	
73	4110.368	HANDLE	
74	4110.518	SCREW	
75	4110.368	HANDLE	
76	4110.143	LOCK NUT	
77	4110.369	WHEEL SUPPORT FRAME	
78	4110.129	CAP NUT	
79	4110.162	WASHER	
80	4110.084	WHEEL	
81	4110.370	AXLE	



CREATIVE EQUIPMENT CC

18 Main Road, Fishers Hill, Germiston, 1401
Tel: 011 828 5085 Fax: 011-828-5085
sales@crequip.co.za www.talontools.co.za



ILLUSTRATED PARTS LIST

MODEL B100
PRODUCT DIRECT FIRED HEATER
